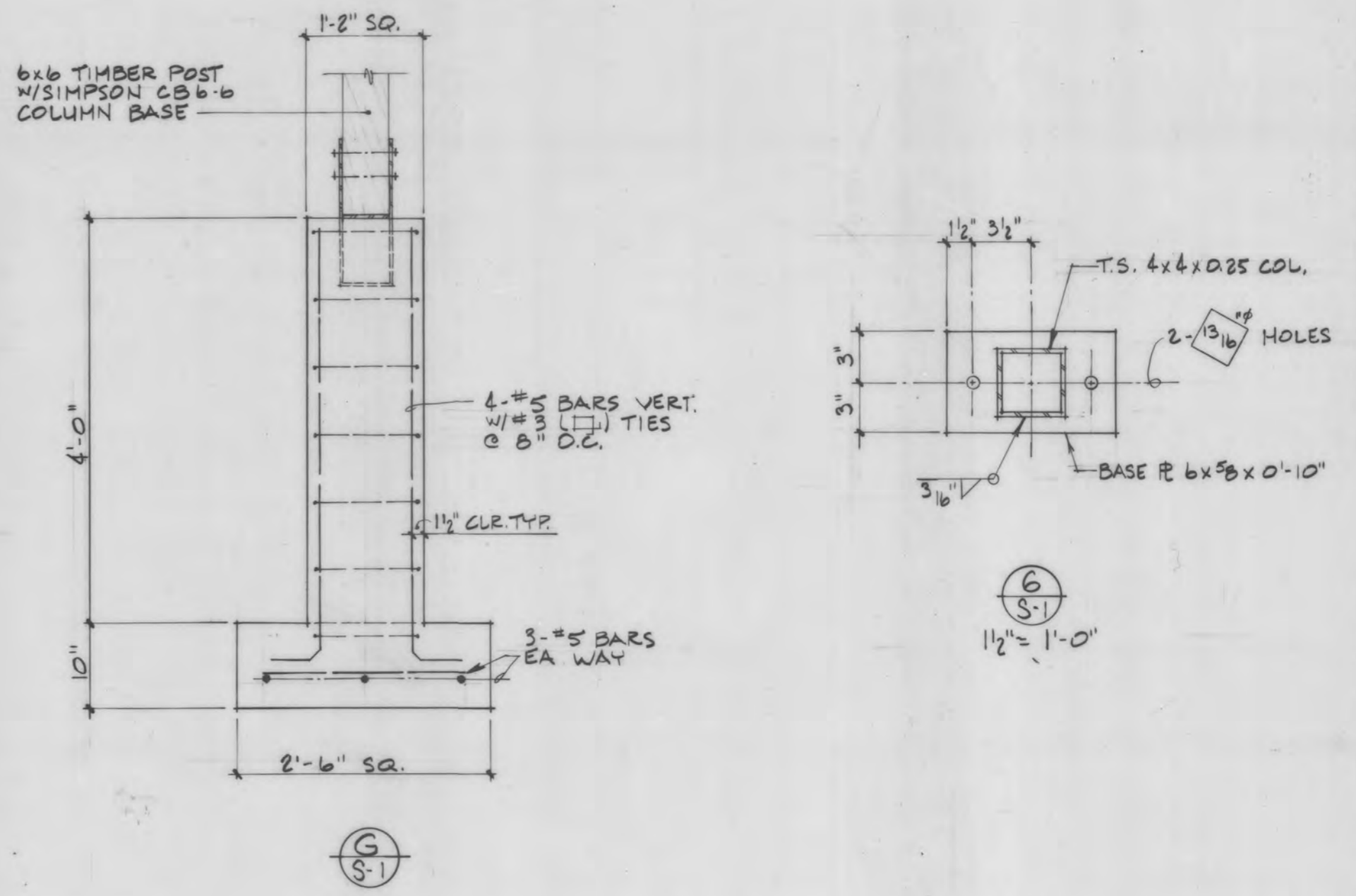
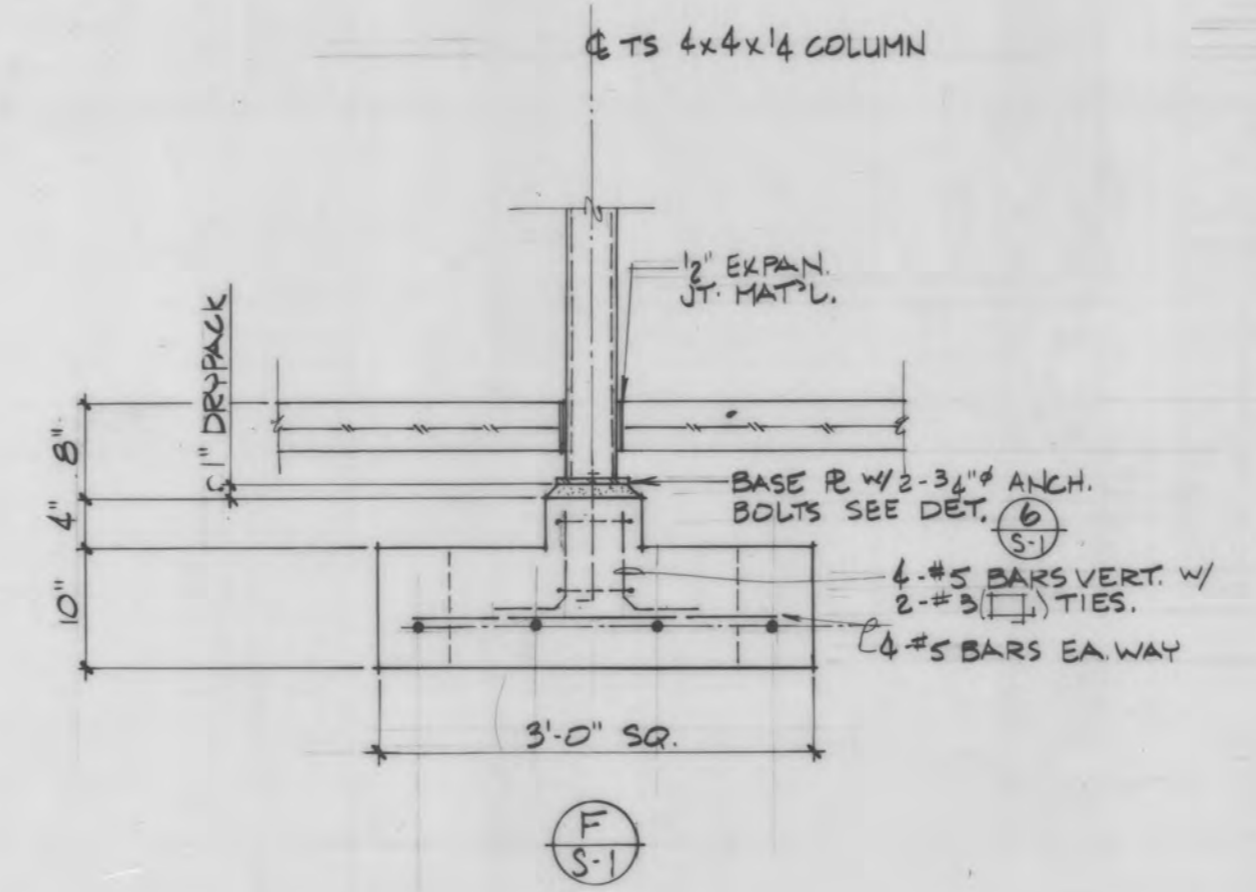
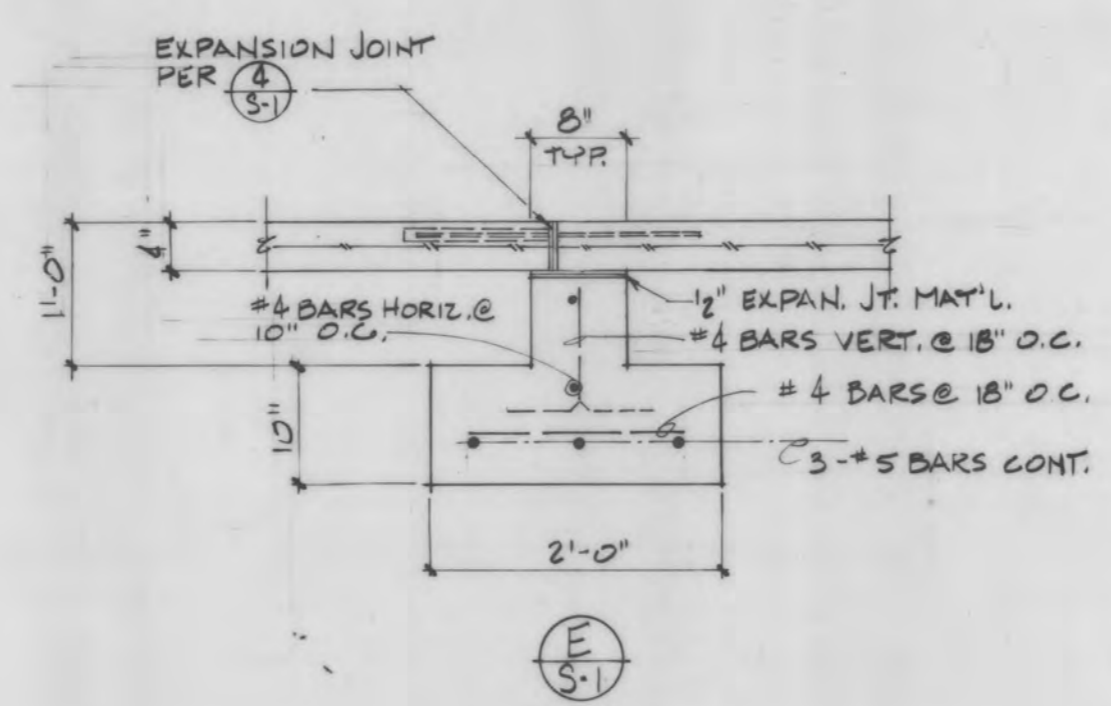
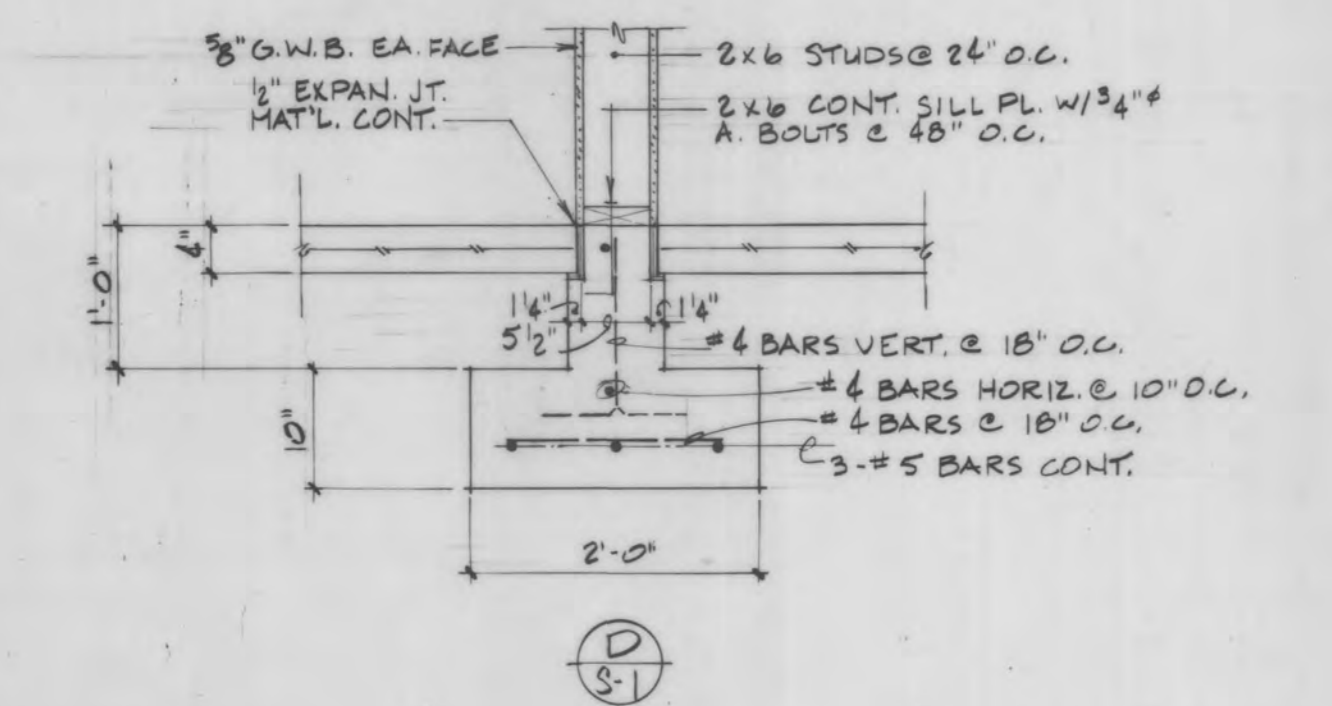
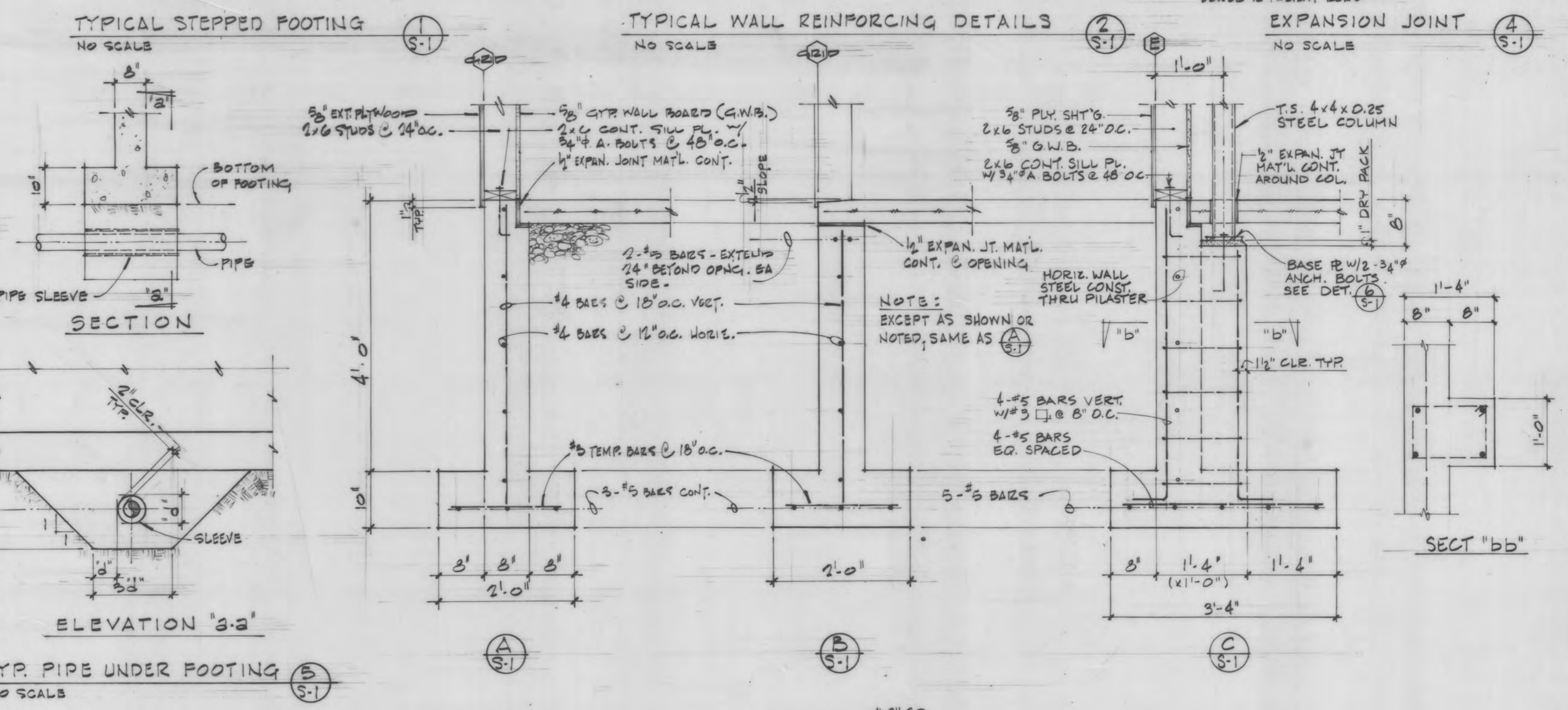
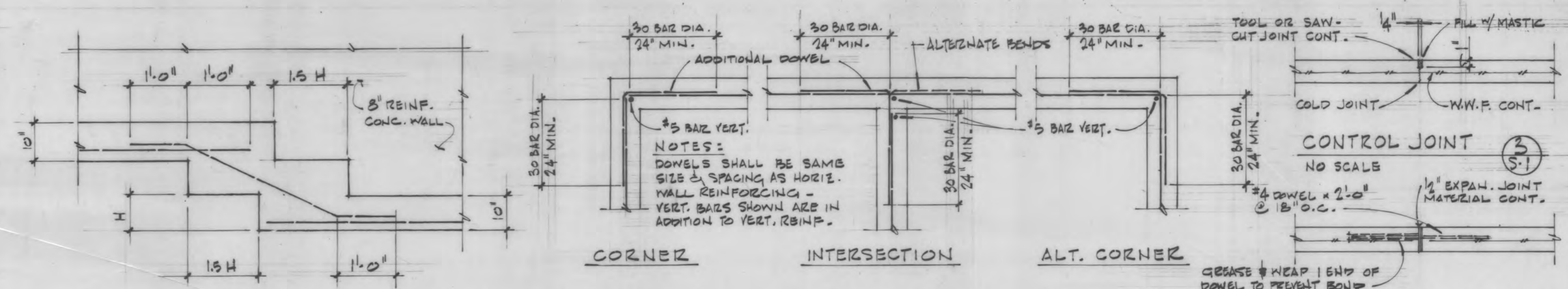


FOUNDATION PLAN
1/2" = 1'-0"



- GENERAL NOTES:**
1. EXTERIOR PLYWOOD SHEATHING SHALL BE NAILED W/ 10# @ 6" O.C. AT ALL PLYWOOD EDGES AND 10# @ 12" O.C. IN FIELD. ALL PLYWOOD EDGES SHALL BE FULLY BLOCKED.
 2. INTERIOR 5/8" GYP WALL BOARD SHALL BE NAILED W/ 5# COOLER NAILS. TYPICAL THROUGHOUT.
 3. ALL SECTIONS & DETAILS DRAWN @ 3/4" = 1'-0" SCALE UNLESS NOTED OTHERWISE.
 4. ALL CONCRETE SHALL HAVE A MINIMUM 28 DAY COMPRESSIVE STRENGTH OF $f'_c = 3,000$ PSI.
 5. REINFORCING STEEL SHALL BE DEFORMED BARS CONFORMING TO ASTM GRADE 60, MINIMUM.
 6. STRUCTURAL STEEL SHALL CONFORM TO ASTM A-36.
 7. STANDARD CONNECTION (M), BOLTS SHALL CONFORM TO ASTM A-307.
 8. FRAMING LUMBER SHALL BE DOUGLAS FIR/LARCH NO. 2 GRADE OR BETTER. ALL POSTS SHALL BE DOUGLAS FIR/LARCH NO. 1 GRADE MINIMUM.
 9. GLUE LAMINATED MEMBERS SHALL BE COMBINATION 22F GRADE, $F_b = 2,200$ PSI, DOUG FIR/LARCH OR HEMLOCK.
 10. STRUCTURAL DESIGN BASED UPON:
 - a. 1979 UNIFORM BUILDING CODE.
 - b. SEISMIC ZONE 3.
 11. SEE ARCHITECTURAL DRAWINGS FOR SIZE AND LOCATIONS OF ALL DOORS, WINDOWS AND OPENINGS.
 12. BRIDGING SHALL BE INSTALLED IN ALL ROOF TRUSSES PER TRUSS MANUFACTURER'S INSTRUCTIONS.

- EXCAVATION NOTES:**
1. REMOVE ALL FROST SUSCEPTIBLE MATERIAL TO GRAVEL. SEE NOTE #3 BELOW.
 2. ALL FOUNDATION EXCAVATION SHALL EXTEND 3 FEET MINIMUM BEYOND EXTERIOR EDGE OF FOOTINGS.
 3. EXCAVATION SHALL BE APPROVED BY THE ENGINEER BEFORE BACKFILLING MAY BEGIN.
 4. BACKFILL SHALL BE GRANULAR N.F.S. MATERIAL PLACED IN LAYERS OF NOT MORE THAN 9 INCHES OF LOOSE THICKNESS AND COMPACTED TO 95% (MIN.) DENSITY.
 5. AVERAGE DEPTH OF EXCAVATION APPROX. 11.5' TO ELEV. 421.5' ±.

"AS-BUILT"
NO CHANGES REPORTED BY CONTRACTOR AND/OR ARCHITECT.
Jan E. Murphy 2/2/80

MICROFILMED
DATE: 12/83
MICROFILM NUMBER:

Bell, Herring and Associates
Engineering and Land Surveying
P. O. Box 73678, Fairbanks, AK 99707
(907) 452-5195