

FAIRBANKS SENIOR CENTER REMODEL

PHASE ONE TOILET ROOMS

FAIRBANKS

ALASKA

REVISIONS

DAVID A. WHITMORE - ARCHITECT
335 Third Avenue Suite A
Fairbanks, Alaska 99701

fax 907-452-2359
907-452-2359
david@whitmorearchitect.com
davidwhitmorearchitect.com

FAIRBANKS SENIOR CENTER REMODEL

PHASE ONE TOILET ROOMS

ALASKA

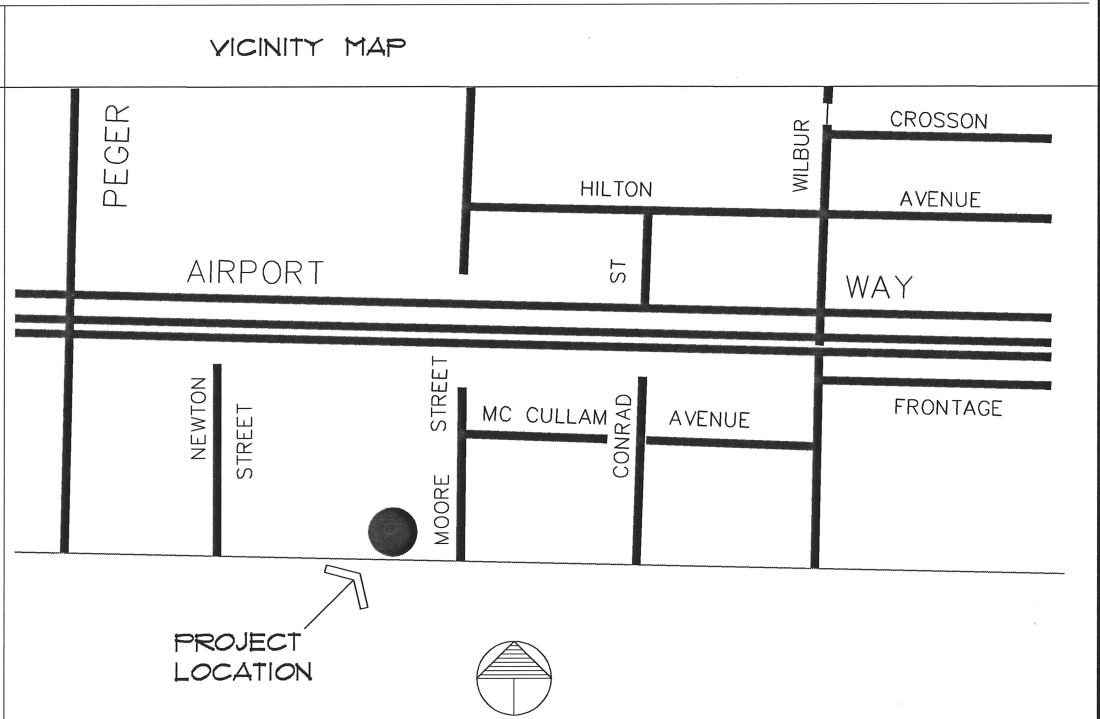
DRAWN _____
CHECKED _____
DATE _____
JOB NO. _____
SHEET TITLE _____
TITLE SHEET

T1

ABBREVIATIONS			
AB	ANCHOR BOLT	FTG	FOOTING
ACT	ACOUSTICAL TILE	FT	FEET/FOOT
ADJ	ADJUSTABLE	FHV	FIRE HOSE VALVE
ALT	ALTERNATE		
ALUM	ALUMINUM	GA	GAUGE
ARCH	ARCHITECT(URAL)	GALV	GALVANIZED
ASPH	ASPHALT	GB	GRAB BAR
		GC	GENERAL CONTRACTOR
BD	BOARD	GEN	GENERAL
BIT	BITUMINOUS	GI	GALVANIZED IRON
BLDG	BUILDING	GL	GLASS
BLK	BLOCK	GWB	GYP SUM WALLBOARD
BM	BEAM	GYP BD	GYP SUM BOARD
BM	BENCH MARK		
BOT	BOTTOM	HB	HOSE BIBB
BRG	BEARING	HC	HOLLOW CORE
		HCAB	HOSE CABINET
CAB	CABINET	HDR	HEADER
CEM	CEMENT	HDWE	HARDWARE
CI	CAST IRON	HEX	HEXAGONAL
CJ	CONTROL JOINT	HM	HOLLOW METAL
CL	CENTER LINE	HORIZ	HORIZONTAL
CT	CERAMIC TILE	HR	HOUR
CLG	CEILING	HT	HEIGHT
CO	CLEAN OUT	HVAC	HEATING/VENT/AIR/COND
COL	COLUMN	HW	HOT WATER
CONC	CONCRETE		
CMU	CONCRETE MASONRY UNIT	ID	INSIDE DIAMETER
		IN	INCH
CONF	CONFERENCE	INSUL	INSULATION
CONST	CONSTRUCTION	INT	INTERIOR
CONT	CONTINUOUS	INV	INVERT
CONTR	CONTRACTOR		
CONV	CONVECTOR	JAN	JANITOR
CORR	CORRIDOR	JST	JOIST
CU	CUBIC	JT	JOINT
CUH	CABINET UNIT		
CUH	HEATER	L	ANGLE
CW	COLD WATER	LIN	LINEAR
		LGT	LIGHT/LIGHTING
DF	DRINKING FOUNTAIN	LL	LIVE LOAD
DF	DOUGLAS FIR	LVR	LOUVER
DET	DETAIL		
DIA	DIAMETER	MAS	MASONRY
DIM	DIMENSION	MATL	MATERIAL
DISP	DISPENSER	MAX	MAXIMUM
DN	DOWN	MECH	MECHANICAL
DR	DOOR	MET	METAL
DS	DOWN SPOUT	MFR	MANUFACTURER
DWG	DRAWING	MH	MANHOLE
		MIN	MINIMUM
ELEC	ELECTRICAL	MISC	MISCELLANEOUS
EL/ELEV	ELEVATION	MIR	MIRROR
ENAM	ENAMEL	MULL	MULLION
ENG	ENGINEER(ING)		
EO	ELECTRICAL OUTLET	N	NORTH
EQ	EQUAL	NFS	NONFROST SUSCEPTIBLE
EQUIP	EQUIPMENT	NIC	NOT IN CONTRACT
EXIST	EXISTING	NO	NUMBER
EXP	EXPANSION/EXPOSED	NTS	NOT TO SCALE
EXP J	EXPANSION JOINT		
		O	OVERALL
EXT	EXTERIOR	OA	ON CENTER
FA	FIRE ALARM/FRESH AIR	OC	OUTSIDE
FD	FLOOR DRAIN	OD	OUTSIDE
FDN	FOUNDATION	OFF	OFFICE
FEC	FIRE EXTINGUISHER CABINET	OH	OVERHEAD
		OPNG	OPENING
FF	FACTORY FINISH		
FFL	FINISH FLOOR LINE	PART	PARTITION
FIN	FINISH	PL	PROPERTY LINE/PLATE
FL	FLOOR	PLAST	LAM PLASTIC LAMINATE
FLASH	FLASHING	FL GL	FLATE
FOC	FACE OF CONCRETE	FLYWD	PLYWOOD
FOF	FACE OF FINISH	FP	POWER POLE
FOM	FACE OF MASONRY	PROJ	PROJECT

SYMBOLS LEGEND			
	EARTH		DIMENSION LUMBER
	GRAVEL, ROCK		BLOCKING, SHIM
	SAND, GROUT		FINISH WOOD
	CONCRETE		FLY WOOD
	CONCRETE BLOCK		CEILING TILE
	BRICK		BATT, LOOSE INSUL.
	CERAMIC TILE		RIGID INSULATION
	METAL		

SYMBOLS LEGEND	
	BUILDING SECTION SHEET NUMBER
	WALL SECTION SHEET NUMBER
	DETAIL NUMBER SHEET NUMBER
	INTERIOR ELEVATION SHEET NUMBER
	OFFICE ROOM NAME ROOM NUMBER
	WINDOW TYPE SHEET NUMBER
	DOOR NUMBER
	DOOR TYPE
	VERTICAL ELEVATION POINT
	DIMENSION TO FACE
	DIMENSION TO CENTER

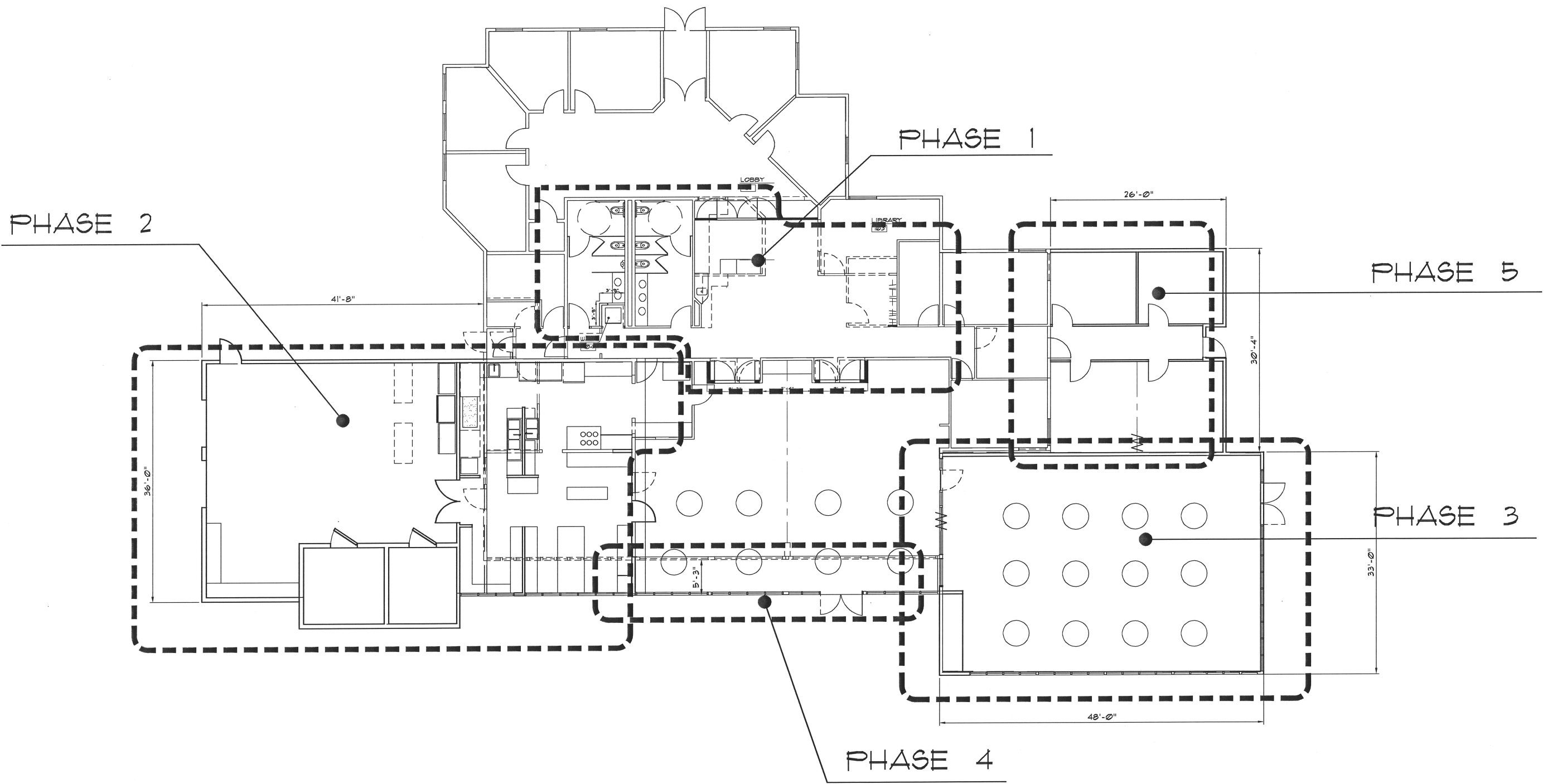


CODE INFORMATION			
CODES	2012 INTERNATIONAL BUILDING CODE, MECHANICAL AND FIRE CODE		
	2012 UNIFORM PLUMBING CODE	NFPA 13 AND NFPA 36 AND ALL APPLICABLE AMENDMENTS	2014 NATIONAL ELECTRIC CODE
	2009 FUEL GAS CODES	CONFORM TO THE REQUIREMENTS SET FORTH IN THE AMERICANS WITH DISABILITIES ACT (ADA). COMPLY WITH THE CURRENT CODES AT THE TIME OF THE CONSTRUCTION CONTRACT.	
SEISMIC ZONE	D	SNOW LOAD	50 PSF
WIND SPEED	30 MPH	TYPE OF CONSTRUCTION	VIA
AREA CALCULATIONS			
	EXISTING	= 5,461 SQ. FT.	
	NEW	= 4,224 SQ. FT.	
OCCUPANT	A3, B		
REQUIRED SEPARATION OF OCCUPANCIES A3 TO B REQUIRES 1HR SEPARATION			
NEW OCCUPANT LOAD			
	OFFICE AREA	= 44 OCCUPANTS	
	ASSEMBLY AREA	= 213 OCCUPANTS	
	KITCHEN AREA	= 9 OCCUPANTS	
	TOTAL BUILDING (ALL PHASES)	= 266 OCCUPANTS	
NEW TOILETS AND LAVATORIES REQUIRED 10 3 EACH EXISTING = 3 OK			

DRAWING INDEX	
ARCHITECTURAL	
T1	TITLE SHEET
A1	PHASE FLOOR PLAN
A2	DEMOLITION & NEW FLOOR PLANS
A3	SCHEDULES & DETAILS
A4	WOMENS INTERIOR ELEVATIONS
A5	MENS INTERIOR ELEVATIONS



NO.	DESCRIPTION



FLOOR PLAN

SCALE : 3/8" = 1'-0" FULL SCALE 3/16" = 1'-0" HALF SCALE

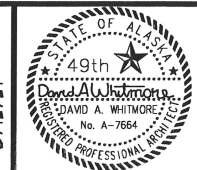
DAVID A. WHITMORE - ARCHITECT
 555 Third Avenue Suite A
 Fairbanks, Alaska 99701
 907-452-2359
 david@whitmorearchitect.com

FAIRBANKS
 SENIOR CENTER REMODEL
 PHASE ONE TOILET ROOMS
 FAIRBANKS ALASKA

DRAWN	DW
CHECKED	DW
DATE	9/2/21
JOB NO.	0211
SHEET TITLE	PHASE PLAN
SHEET	A1

A1

5/12/21



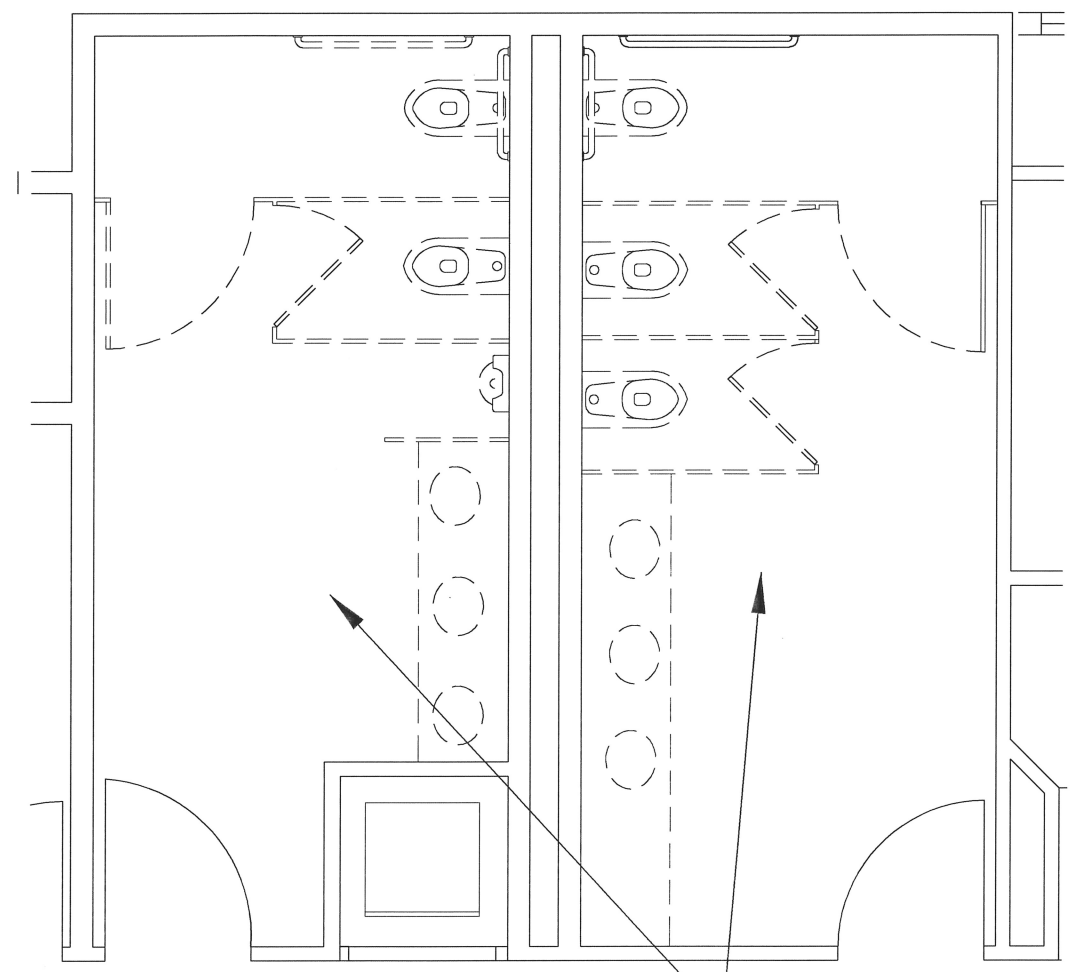
NO.	REVISIONS

DAVID A. WHITMORE - ARCHITECT
 335 Third Avenue Suite A
 Fairbanks, Alaska 99701
 907-452-2339
 davidawhitmorearchitect.com
 david@whitmorearchitect.com

FAIRBANKS
 SENIOR CENTER REMODEL
 PHASE ONE TOILET ROOMS
 FAIRBANKS ALASKA

DRAWN	DW
CHECKED	DW
DATE	5/12/21
JOB NO.	0211
SHEET TITLE	DEMOLITION AND NEW FLOOR PLAN
SHEET	

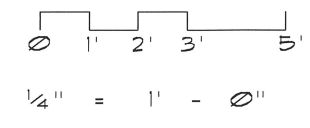
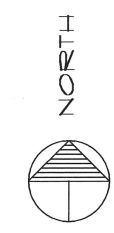
A2



REMOVE EXISTING TOILET FIXTURES AND PARTITIONS AS REQUIRED TO LET IN NEW CONSTRUCTION PATCH AS REQUIRED TO MATCH ALL ADJACENT

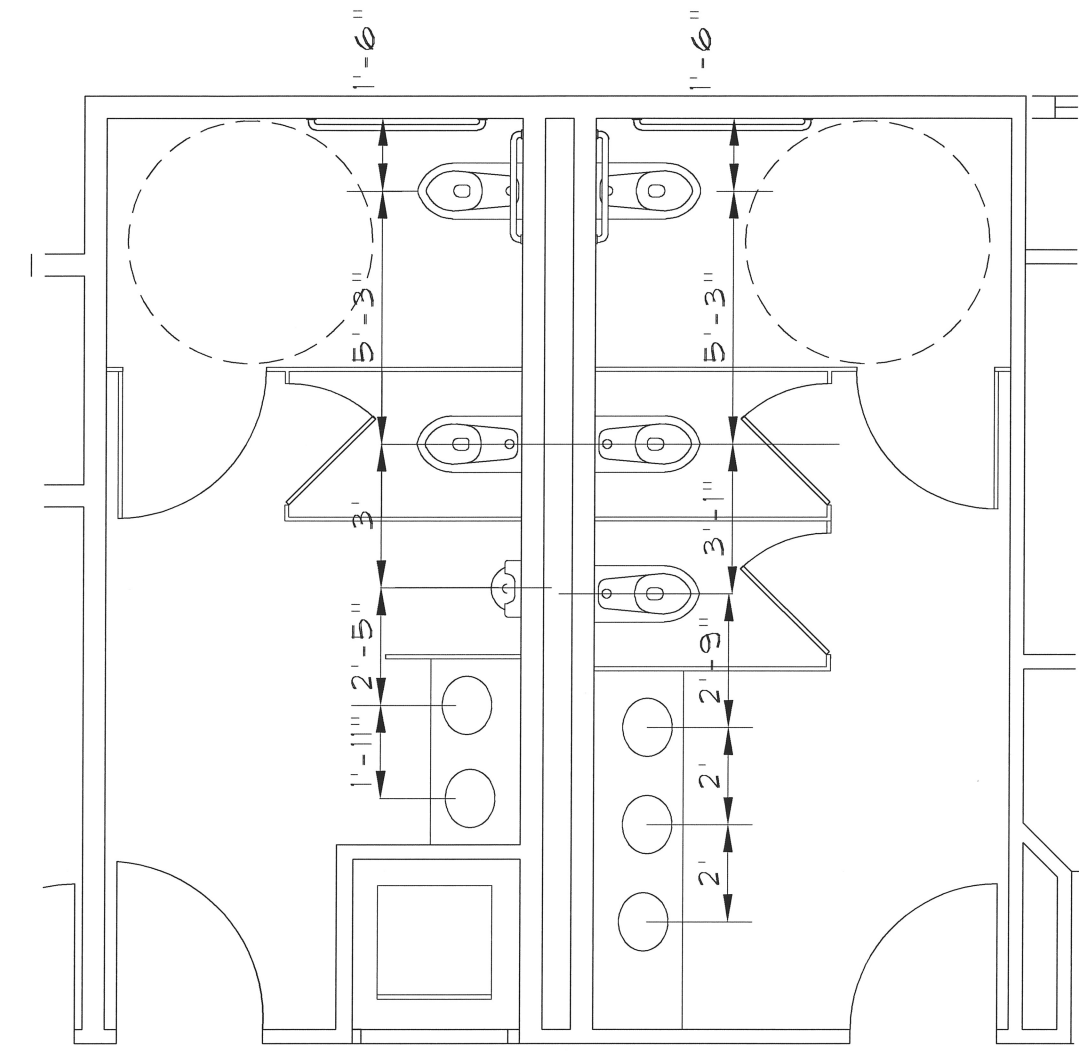
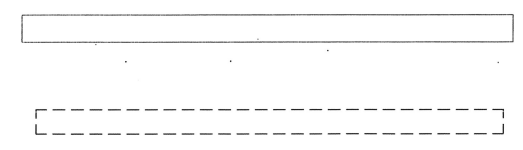
DEMOLITION FLOOR PLAN

SCALE: 1/2" = 1' - 0" FULL SIZE 1/4" = 1' - 0" HALF SIZE



LEGEND

EXISTING WALL CONSTRUCTION TO REMAIN
 EXISTING WALL CONSTRUCTION TO BE REMOVED



NEW FLOOR PLAN

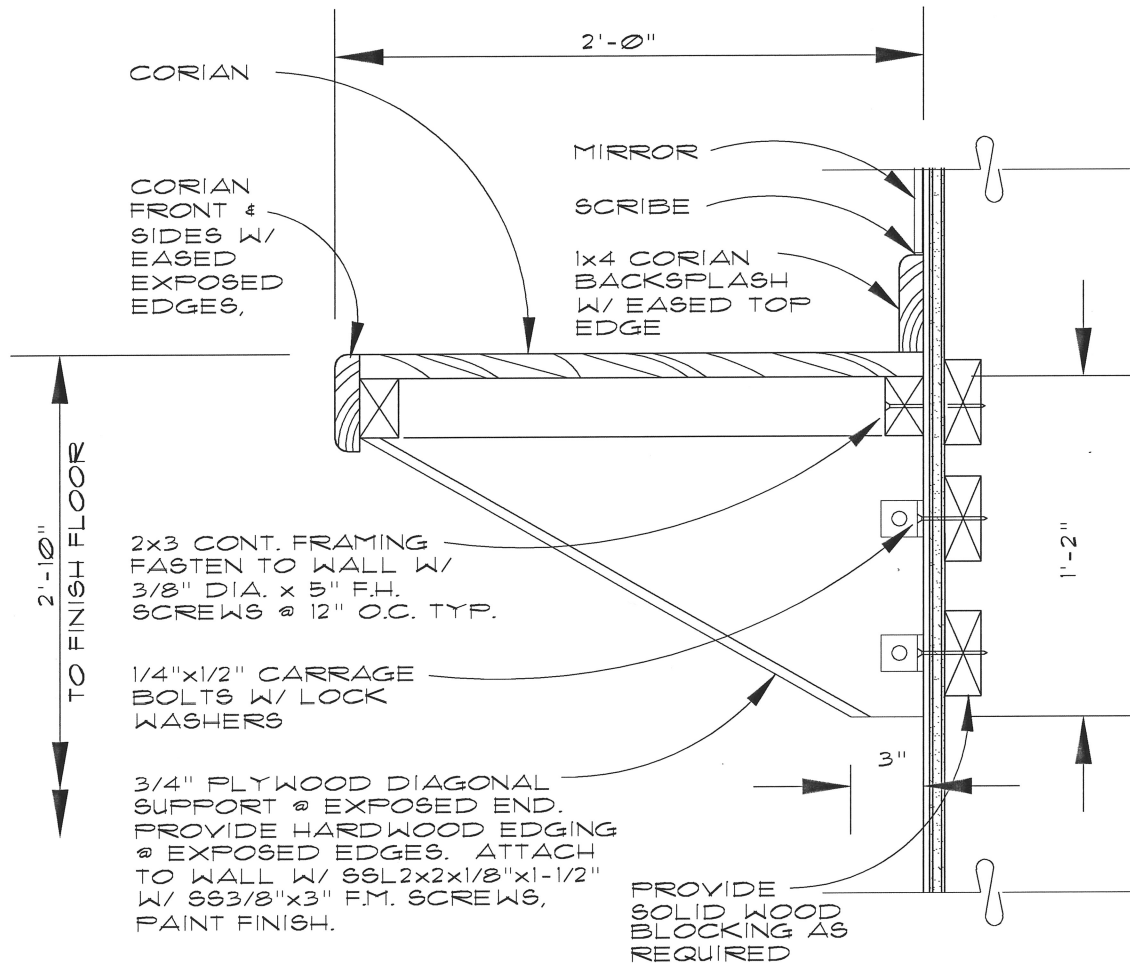
SCALE: 1/2" = 1' - 0" FULL SIZE 1/4" = 1' - 0" HALF SIZE

NOTES:

- DIMENSIONS ARE FROM FACE OF STUD TO FACE OF STUD UNLESS OTHERWISE NOTED.
- INTERIOR WALLS TO BE 2X4'S AT 16"OC SEE STRUCTURAL DRAWINGS FOR FURTHER INFORMATION

ROOM FINISH SCHEDULE

NO.	NAME	FLOOR	BASE	W A L L S				4' H WAINSCOT	CEILING	CLG HGT	REMARKS
				NORTH	EAST	SOUTH	WEST				
101	WOMENS	SHEET VINYL	VINYL COVE	SG EN PAINT PATCH	SG EN PAINT PATCH	SG EN PAINT PATCH	SG EN PAINT PATCH	IMPRO	SG EN PAINT PATCH	9'-5"	----
102	MENS	SHEET VINYL	VINYL COVE	SG EN PAINT PATCH	SG EN PAINT PATCH	SG EN PAINT PATCH	SG EN PAINT PATCH	IMPRO	SG EN PAINT PATCH	9'-5"	----



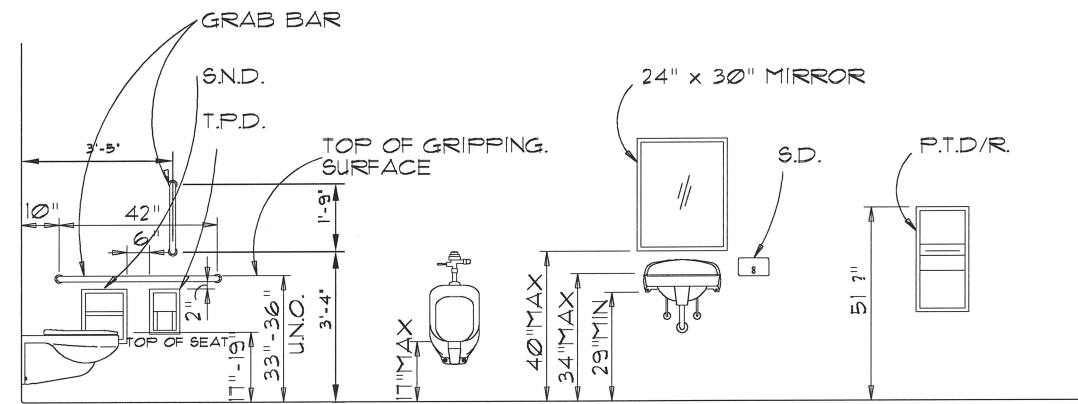
1

A3 COUNTERTOP

SCALE : 1-1/2" = 1'-0"

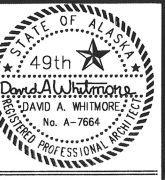
ACCESSORY HEIGHTS

DISABLED



1. THE DIMENSIONS SHOWN ARE FOR MEETING ANSI A117.1 REQUIREMENTS
2. PROVIDE BACKING IN WALLS AS REQUIRED FOR ACCESSORY SUPPORT TYPICAL

5/12/21

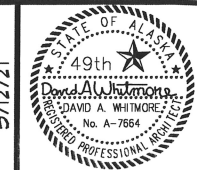


DAVID A. WHITMORE - ARCHITECT
 333 Third Avenue Suite A
 Fairbanks, Alaska 99701
 Fax 907-442-2359
 907-442-2339
 davidawhitmorearchitect.com
 david@whitmorearchitect.com

FAIRBANKS
 SENIOR CENTER REMODEL
 PHASE ONE TOILET ROOMS
 FAIRBANKS ALASKA

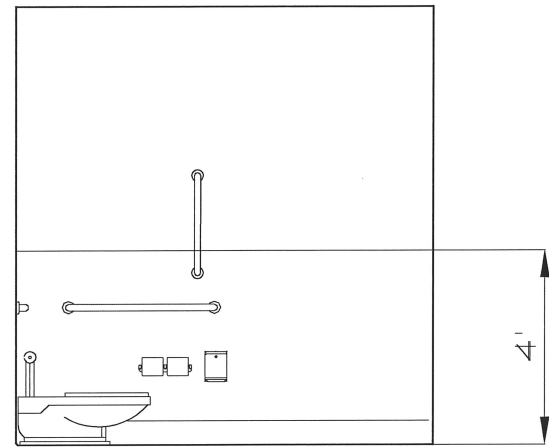
DRAWN: DW
 CHECKED: DW
 DATE: 5/12/21
 JOB NO.: 0211
 SHEET TITLE: SCHEDULES DETAILS
 SHEET: 6

A3

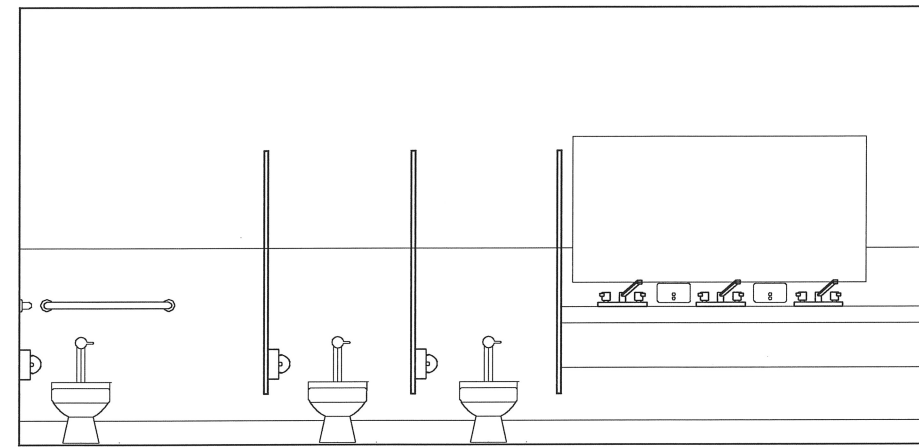


5/12/21

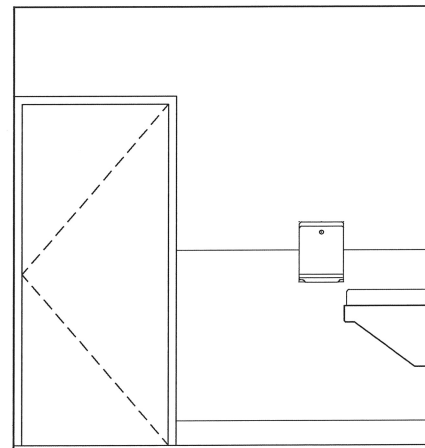
REVISIONS



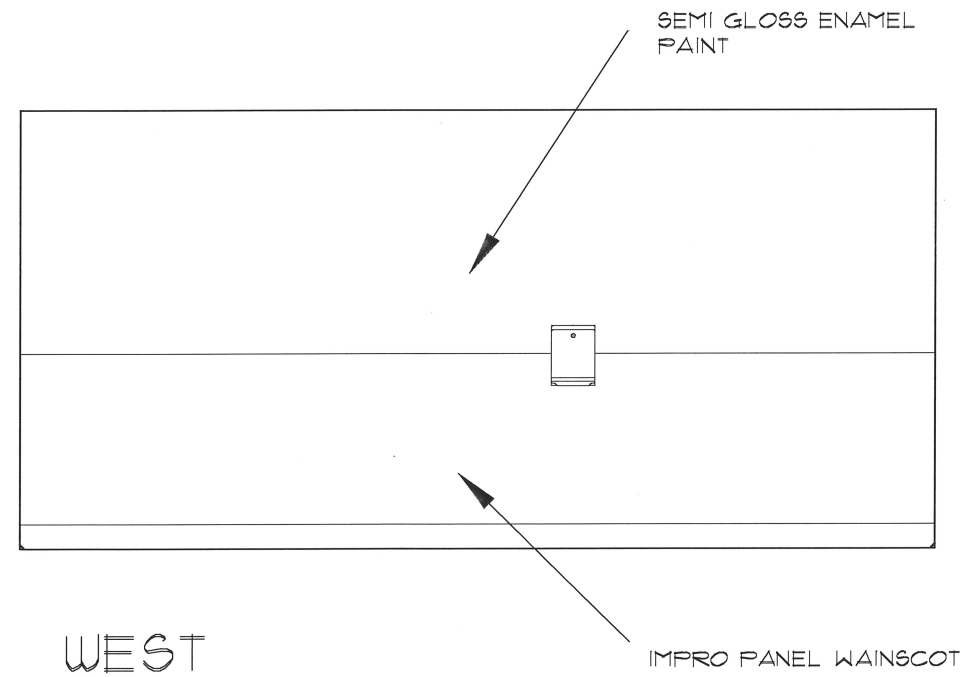
NORTH



EAST



SOUTH



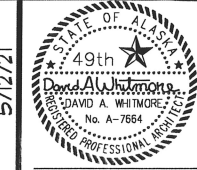
WEST

DAVID A. WHITMORE • ARCHITECT
 535 Third Avenue Suite A
 Fairbanks, Alaska 99701
 907-422-2339
 davidawhitmorearchitect.com
 david@whitmorearchitect.com
 fax 907-422-2339

FAIRBANKS
 SENIOR CENTER REMODEL
 PHASE ONE TOILET ROOMS
 FAIRBANKS ALASKA

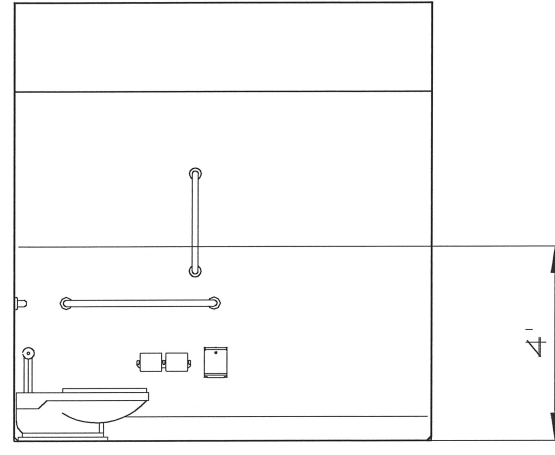
DRAWN	DW
CHECKED	DW
DATE	5/12/21
JOB NO.	0211
SHEET TITLE	WOMENS INTERIOR ELEVATIONS
SHEET	

A4

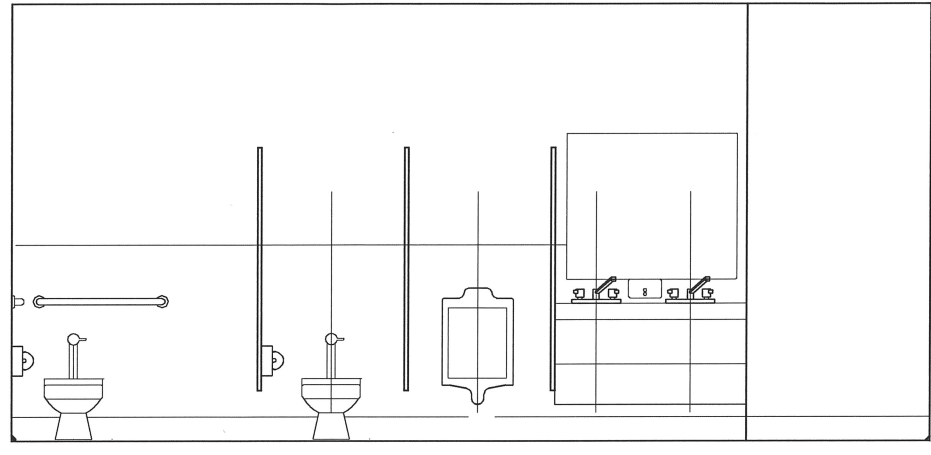


5/12/21

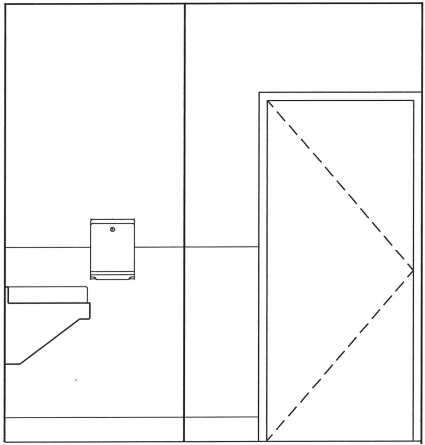
REVISIONS



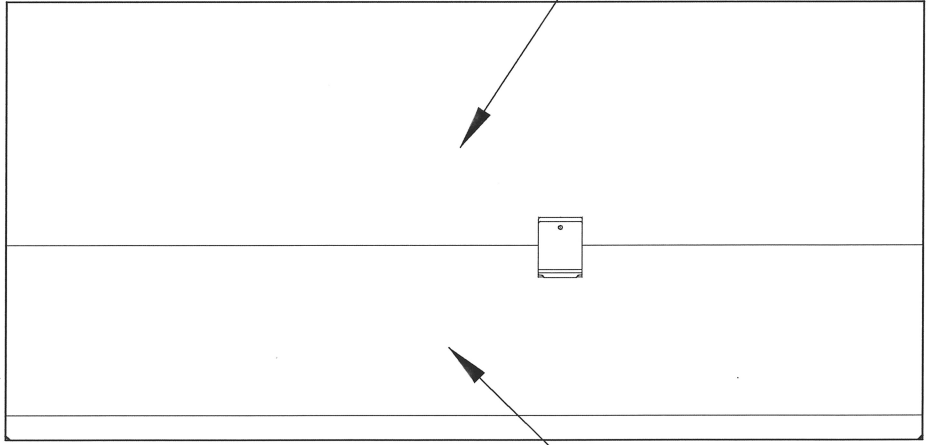
NORTH



EAST



SOUTH



WEST

SEMI GLOSS ENAMEL PAINT

IMPRO PANEL WAINSCOT

DAVID A. WHITMORE - ARCHITECT
333 Third Avenue Suite A
Fairbanks, Alaska 99701
907-452-2339
david@whitmorearchitect.com

FAIRBANKS SENIOR CENTER REMODEL
PHASE ONE TOILET ROOMS
FAIRBANKS ALASKA

DRAWN DW
CHECKED DW
DATE 5/12/21
JOB NO. 0211
SHEET TITLE
MENS INTERIOR ELEVATIONS
SHEET

A5