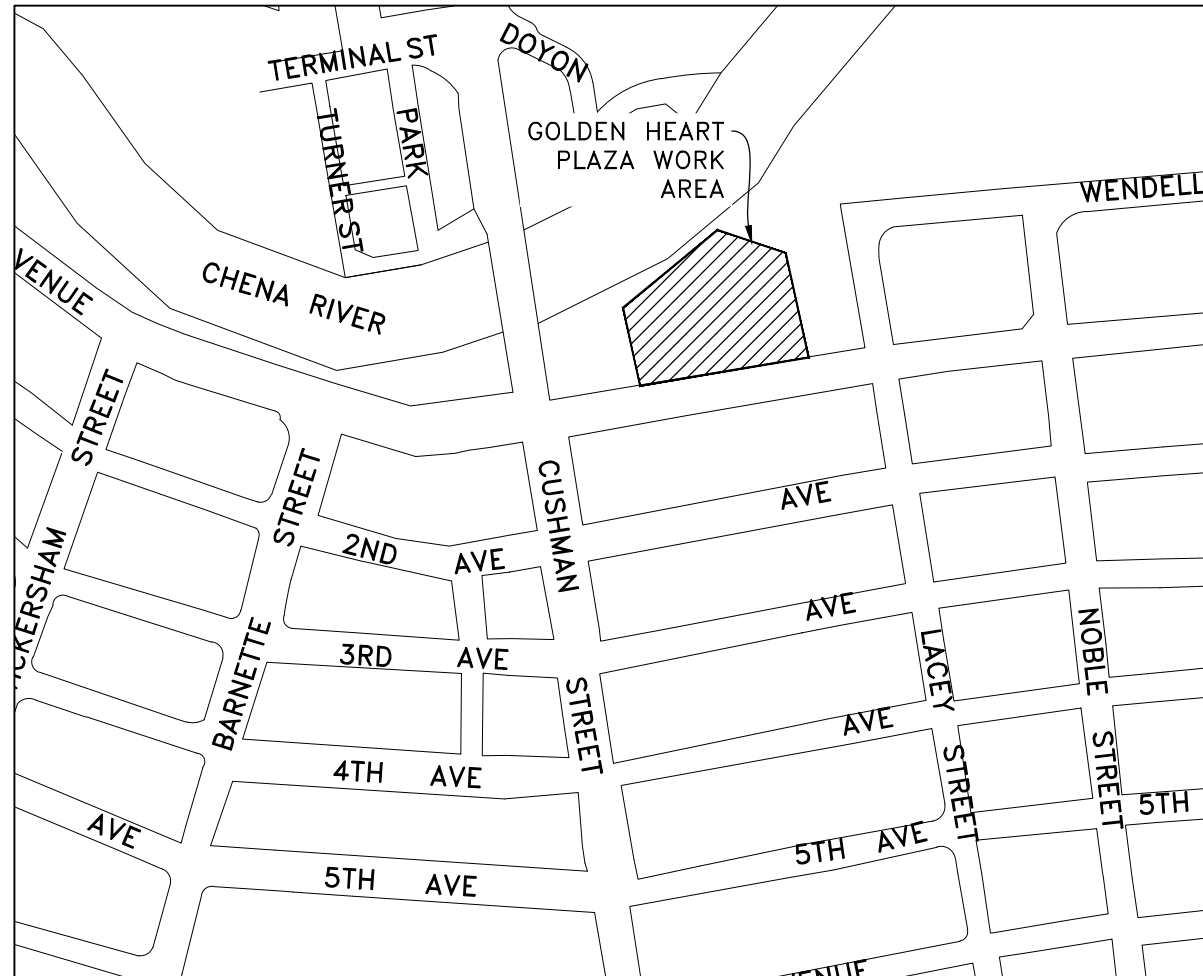


PROJECT  
LOCATION

CITY OF FAIRBANKS  
ENGINEERING DEPARTMENT

PROPOSED ROADWAY & UTILITIES PROJECT  
GOLDEN HEART PLAZA  
REPAIR/UPGRADE  
PROJECT #: ITB-19-14

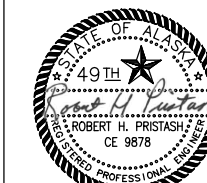
INDEX OF SHEETS	
SHEET NO.	DESCRIPTION
A1	TITLE SHEET
C1	ESTIMATE OF QUANTITIES
F1	SHEET LAYOUT INDEX
F2	UTILITIES
F3	FOUNTAIN PIPING
F4	CONCRETE REPAIR
F5	ROCK WORK REPAIRS
CD1	COF CONCRETE STANDARD DETAILS
SD1	COF STORM DRAIN STANDARD DETAILS



VICINITY MAP



AREA OF IMPROVEMENTS



8/09/19

DATE	REVISION	BY

SCALE: NONE

DESIGNED: RHP  
DRAWN: KLL  
CHECKED:  
DATE:

GOLDEN HEART PLAZA  
REPAIR/UPGRADE  
TITLE SHEET

CITY OF FAIRBANKS, ALASKA  
Engineering Department  
Project #: ITB-19-14

A1  
OF 9  
SHEETS

**ESTIMATE OF QUANTITIES**

ITEM NO.	PAY ITEM	PAY UNIT	QUANTITY
202(13)	REMOVE AND STORE BRONZE NAME PLATE	EACH	6
202(15)	REMOVAL OF CONCRETE ROCK WORK STAND	LUMP SUM	ALL REQUIRED
202(16)	SAW CUT & REMOVAL OF CONCRETE FOR CATCH BASIN INSTALLATION	LUMP SUM	ALL REQUIRED
203(19)	EXCAVATION FOR STAIRWELL REPAIR	LUMP SUM	ALL REQUIRED
514(1)	STAIRWELL REPAIR	LUMP SUM	ALL REQUIRED
560(1)	REPAIR CONCRETE ROCK WORK STAND & BRONZE NAME PLATES	LUMP SUM	ALL REQUIRED
603(21)-8	8 INCH CORRUGATED POLYETHYLENE PIPE	LINEAR FOOT	50
604(5)	INLET, TYPE 1	EACH	1
608(1B)	CONCRETE SIDEWALK, 6 INCHES THICK	SQUARE YARD	10
608(1C)	RED CONCRETE SIDEWALK, 6 INCHES THICK	SQUARE YARD	17
608(7)	RADIUS SAW CUT AND REPLACE WITH TOOLED EDGE CONCRETE	LINEAR FOOT	50
618(4)	SEEDING	SQUARE YARD	31
620(1)	TOPSOIL	SQUARE YARD	31
627(12)	CLEAN AND TV INSPECTION OF 6 INCH AND 8 INCH FOUNDATION PIPING	LINEAR FOOT	300
643(2)	TRAFFIC MAINTENANCE	LUMP SUM	ALL REQUIRED



8/09/19

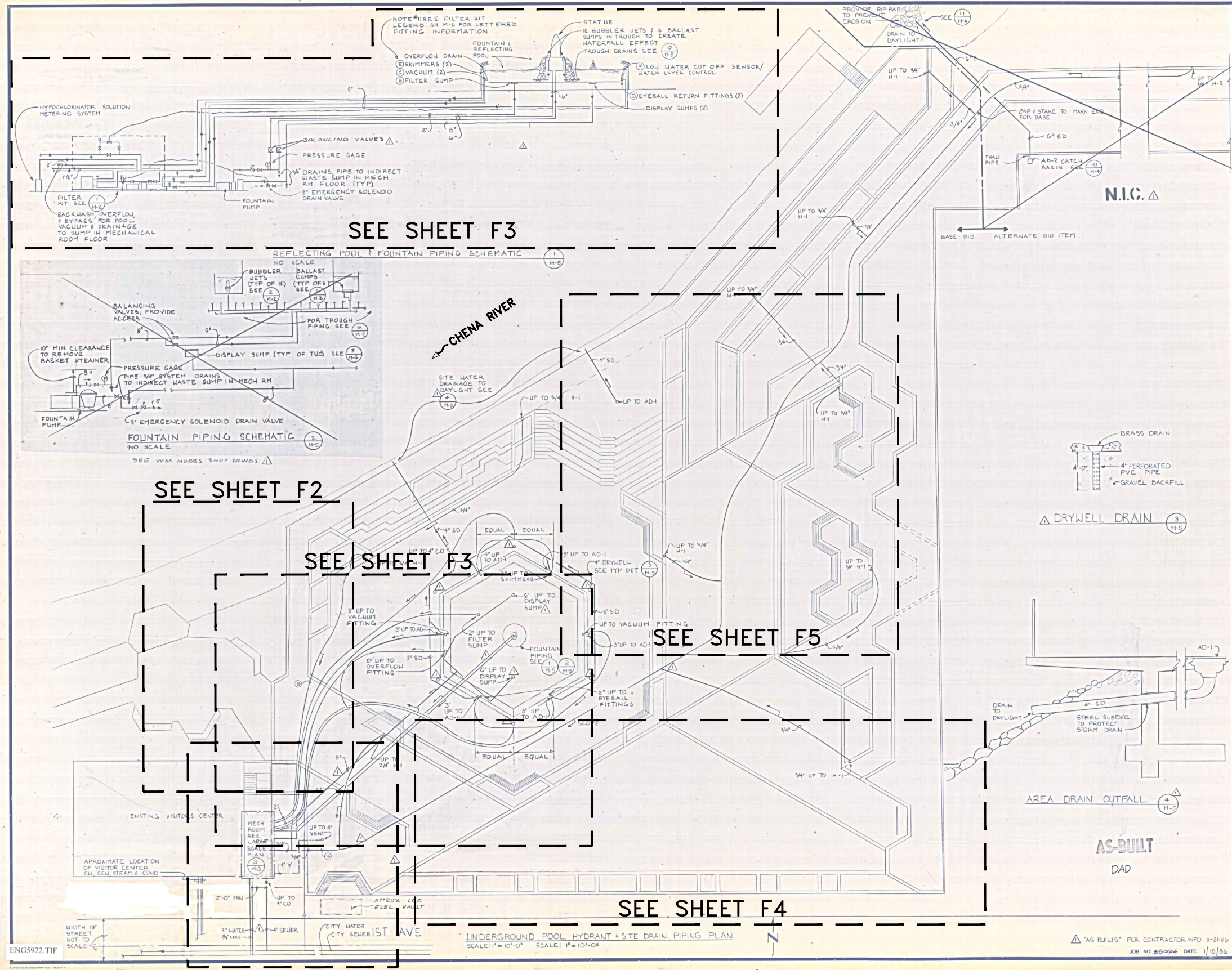
		SCALE: NONE	DESIGNED: RHP	<b>GOLDEN HEART PLAZA REPAIR/UPGRADE ESTIMATE OF QUANTITIES</b>	CITY OF FAIRBANKS, ALASKA Engineering Department Project #: ITB-19-14	C1 OF 9 SHEETS
			DRAWN: KLL			
			CHECKED:			
DATE	REVISION	BY	DATE:			



GOLDEN HEART CENTER

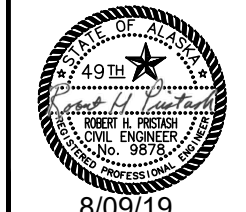
architects:  
G.D.M. & Associates, inc.  
Fairbanks and Anchorage, Alaska

M-5  
MICROFILMED  
DATE: MAY 06 1999  
83-0.210



**GENERAL NOTES**

1. AS BUILT PLANS FOR "GOLDEN HEART CENTER" AVAILABLE AT CITY HALL ENGINEERING DEPARTMENT ON MYLAR FOR ADDITIONAL REVIEW.
2. NO WORK SHALL OCCUR IN GOLDEN HEART PLAZA DURING THE FAIRBANKS GOLDEN DAYS PARADE AND STREET FAIR ON JULY 20TH.

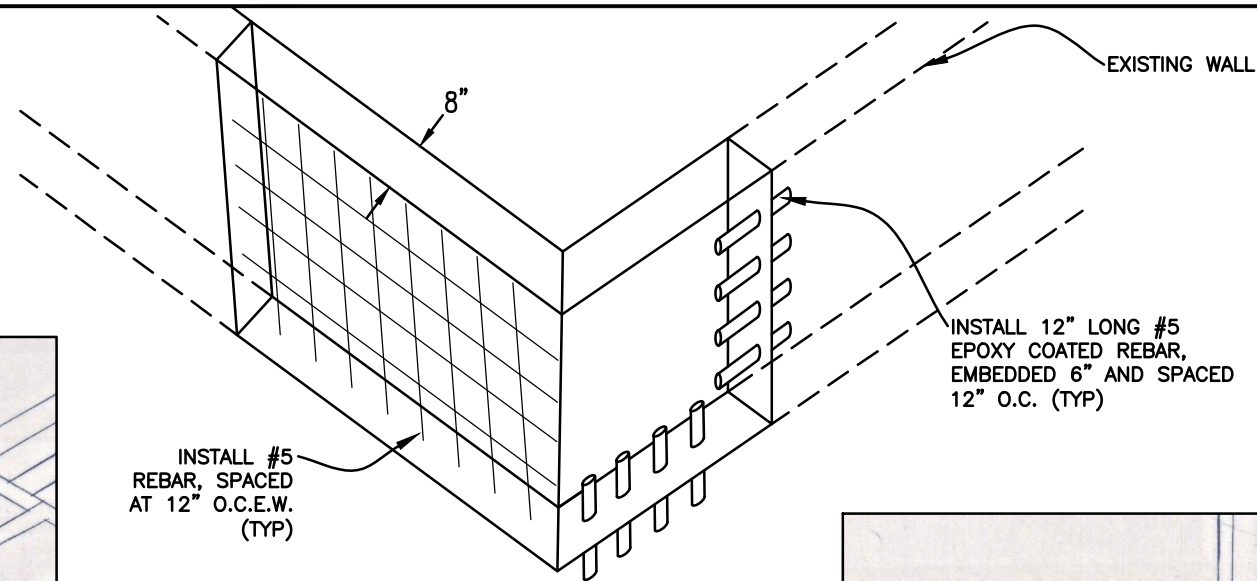


DATE	REVISION	BY

SCALE: NONE	DESIGNED: RHP
	DRAWN: KLL
	CHECKED:
	DATE:

**GOLDEN HEART PLAZA  
REPAIR/UPGRADE  
SHEET LAYOUT INDEX**

CITY OF FAIRBANKS, ALASKA Engineering Department	F1
Project #: ITB-19-14	OF 9 SHEETS



**UTILITIES NOTES**

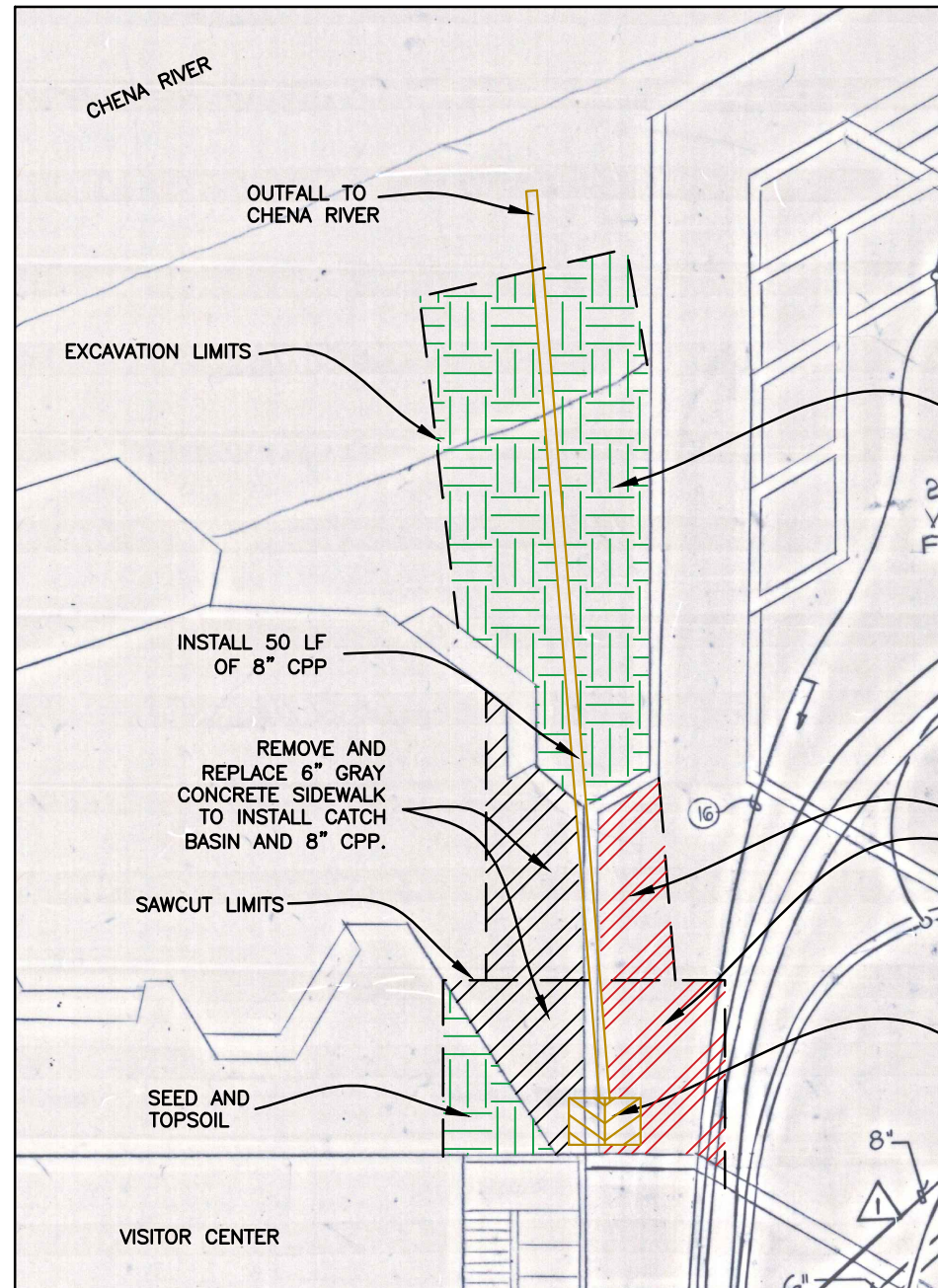
1. INSTALL 12 INCHES OF SELECTED MATERIAL TYPE A BENEATH ALL CONCRETE SIDEWALK AND CURB AND GUTTER. PAYMENT SUBSIDIARY TO RESPECTIVE CONCRETE SIDEWALK AND CURB AND GUTTER PAY ITEMS.



INSTALL #5 REBAR, SPACED AT 12" O.C.E.W. (TYP)

INSTALL 12" LONG #5 EPOXY COATED REBAR, EMBEDDED 6" AND SPACED 12" O.C. (TYP)

**DETAIL "A"**

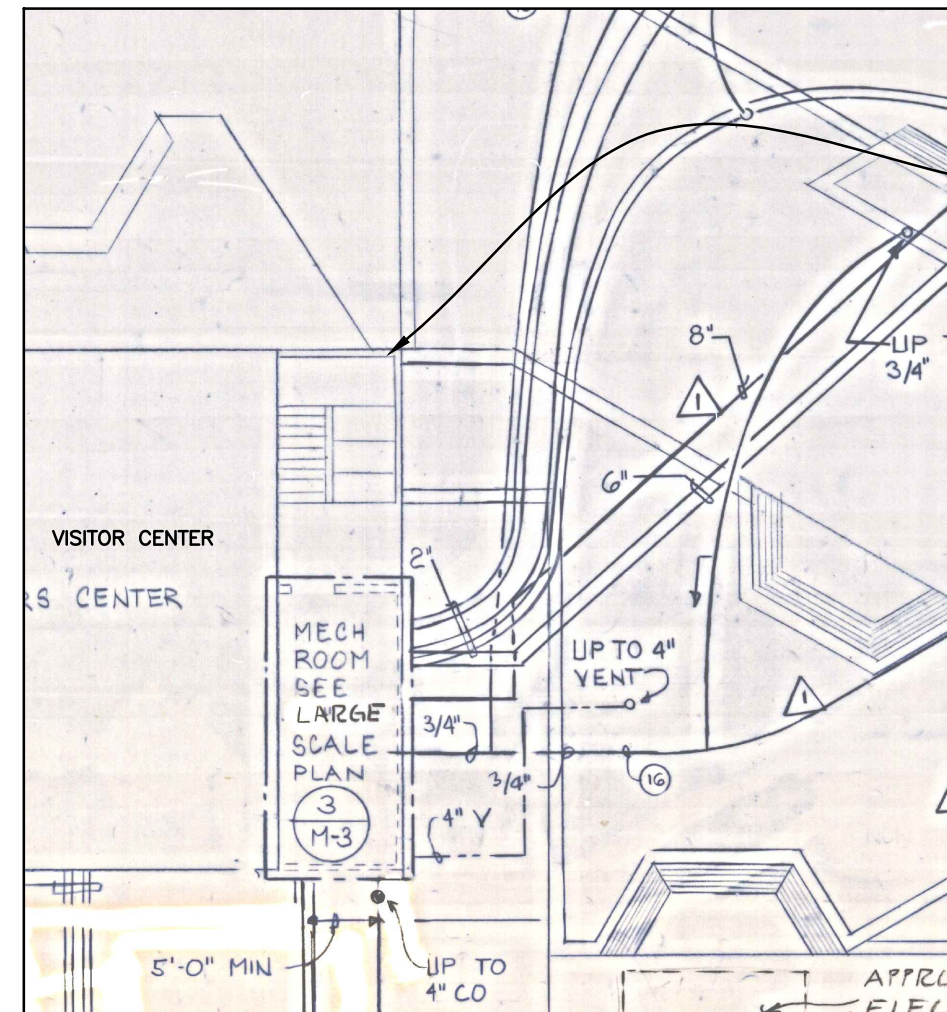


**STORM DRAIN UPGRADES**

SEED AND TOPSOIL DISTURBED GROUND TO INSTALL 8" CPP.

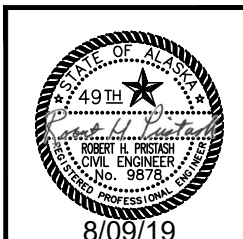
REMOVE AND REPLACE EXISTING 6" RED CONCRETE SIDEWALK TO INSTALL CATCH BASIN AND 8" CPP. MATCH EXISTING CONCRETE PATTERN.

INSTALL TYPE 1 CATCH BASIN. FINAL LOCATION TO BE APPROVED BY ENGINEER.



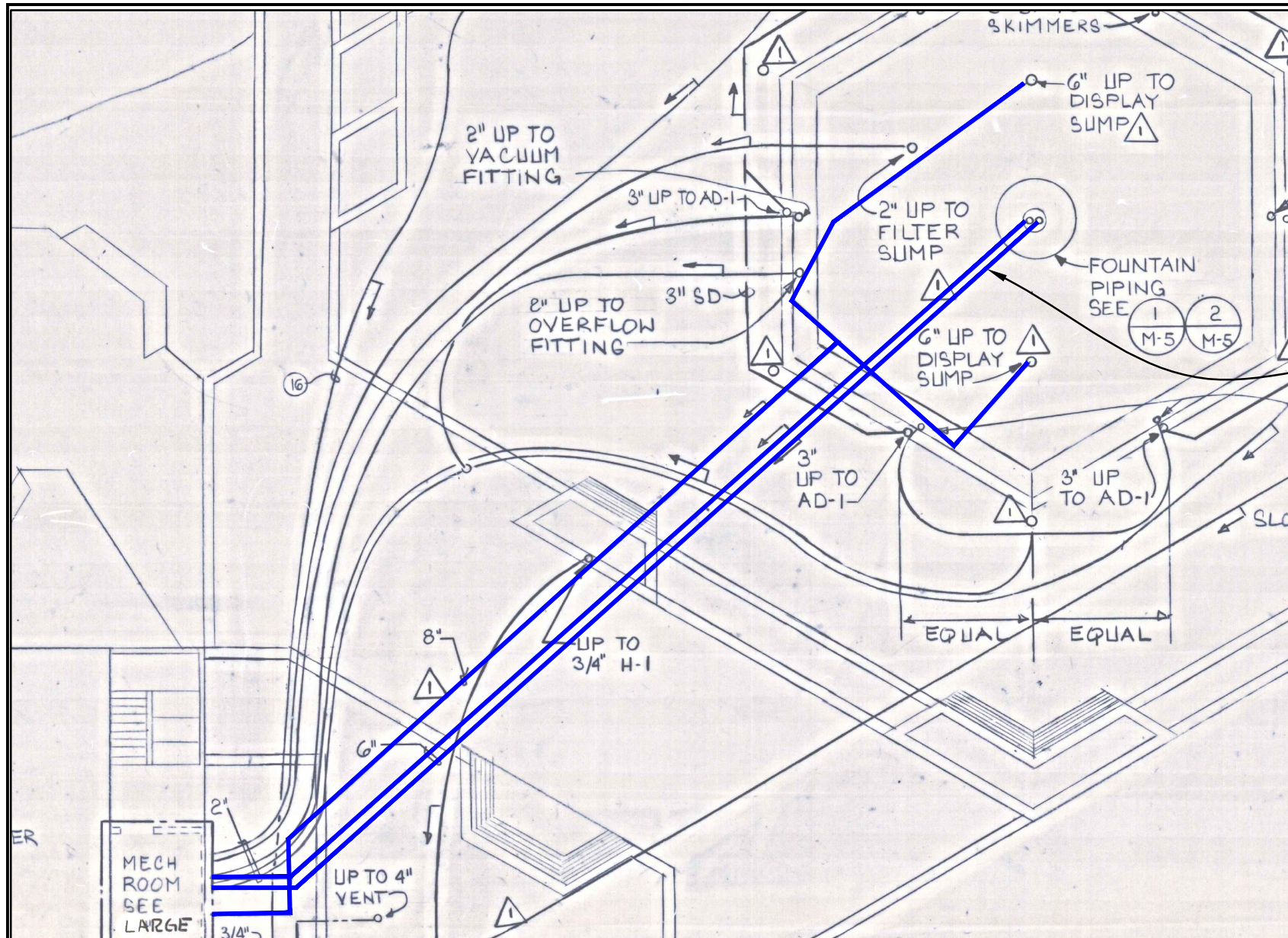
**STAIRWELL UPGRADES**

REMOVE 15 LF IN LENGTH OF STAIR WELL WALL. DRILL AND INSTALL EPOXY COATED REBAR. INSTALL FORMS AND POURED CONCRETE REPAIR WALL APPROX. 15 FT IN LENGTH. SEE DETAIL "A"



8/09/19

SCALE: NONE			DESIGNED: RHP	<b>GOLDEN HEART PLAZA REPAIR/UPGRADE UTILITIES</b>	CITY OF FAIRBANKS, ALASKA Engineering Department Project #: ITB-19-14	<b>F2</b> OF 9 SHEETS
			DRAWN: KLL			
			CHECKED:			
DATE	REVISION	BY	DATE:			



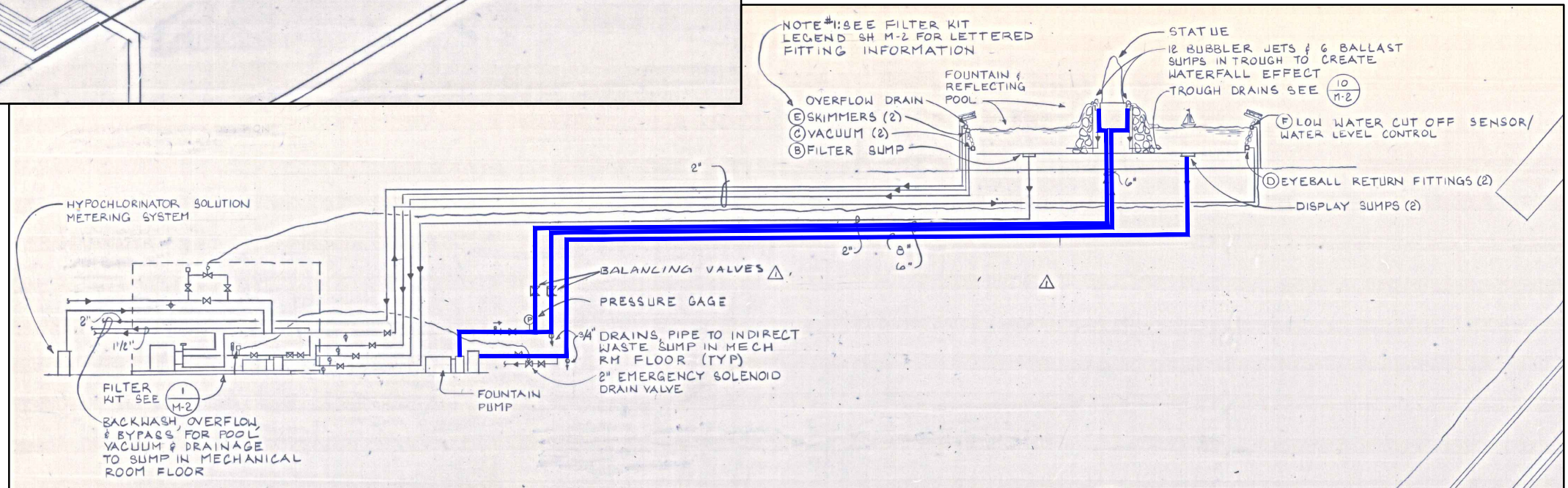
CLEAN AND TV INSPECT 195 LF OF 6 INCH AND 105 LF OF 8 INCH FOUNTAIN WATER PIPING. SEE BELOW FOR REFLECTING POOL & FOUNTAIN PIPING SCHEMATIC. TO BE PAID UNDER 627(12).

**FOUNTAIN PIPING NOTES**

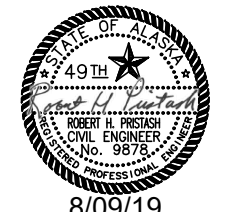
1. THE VIDEO INSPECTION CAMERA SHALL HAVE THE ABILITY TO MANEUVER BETWEEN MULTIPLE 90 DEGREE BENDS, SEE FOUNTAIN PIPING SCHEMATIC AND PLANS.



**FOUNTAIN PIPING PLAN**



**REFLECTING POOL & FOUNTAIN PIPING SCHEMATIC**



8/09/19

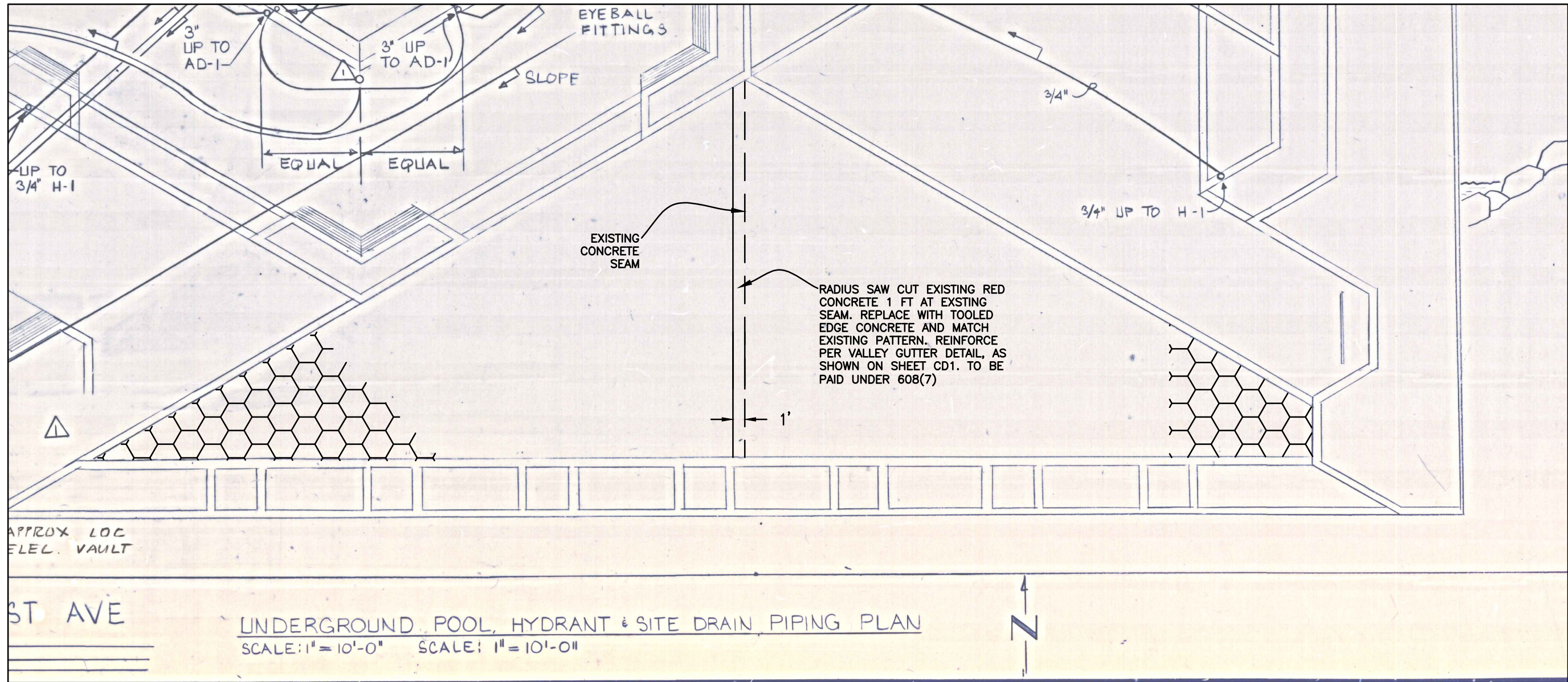
DATE	REVISION	BY

SCALE: NONE	DESIGNED: RHP
	DRAWN: KLL
	CHECKED:
	DATE:

**GOLDEN HEART PLAZA  
REPAIR/UPGRADE  
FOUNTAIN PIPING**

CITY OF FAIRBANKS, ALASKA  
Engineering Department  
Project #: ITB-19-14

**F3**  
OF 9  
SHEETS



**CONCRETE REPAIR**

**CONCRETE REPAIR NOTES**

- 1. COORDINATE WITH ELECTRICAL CONTRACTOR TO INSTALL CONDUIT IN TRENCH.



8/09/19

DATE	REVISION	BY

SCALE: NONE

DESIGNED: RHP

DRAWN: KLL

CHECKED:

DATE:

**GOLDEN HEART PLAZA  
REPAIR/UPGRADE  
CONCRETE REPAIR**

CITY OF FAIRBANKS, ALASKA  
Engineering Department

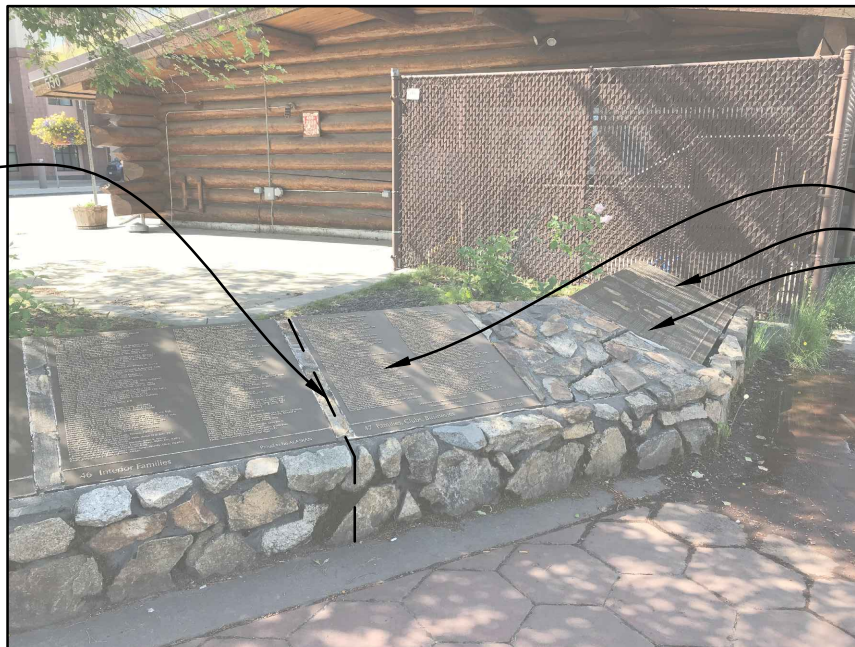
Project #: ITB-19-14

F4

OF 9  
SHEETS

**ROCK WORK REPAIR NOTES**

1. ALL REMOVED BRONZE NAME PLATES SHALL BE LEFT ON SITE, SECURED ON A PALLET WITH 1 INCH OF FOAM BOARD PLACED BETWEEN EACH BRONZE PLATE TO PROTECT THEM DURING TRANSPORT. INTERIOR WELDING WILL PICK UP AND STORE BRONZE NAME PLATES, TO BE COORDINATED BY JULIE JONES WITH FESTIVAL FAIRBANKS.



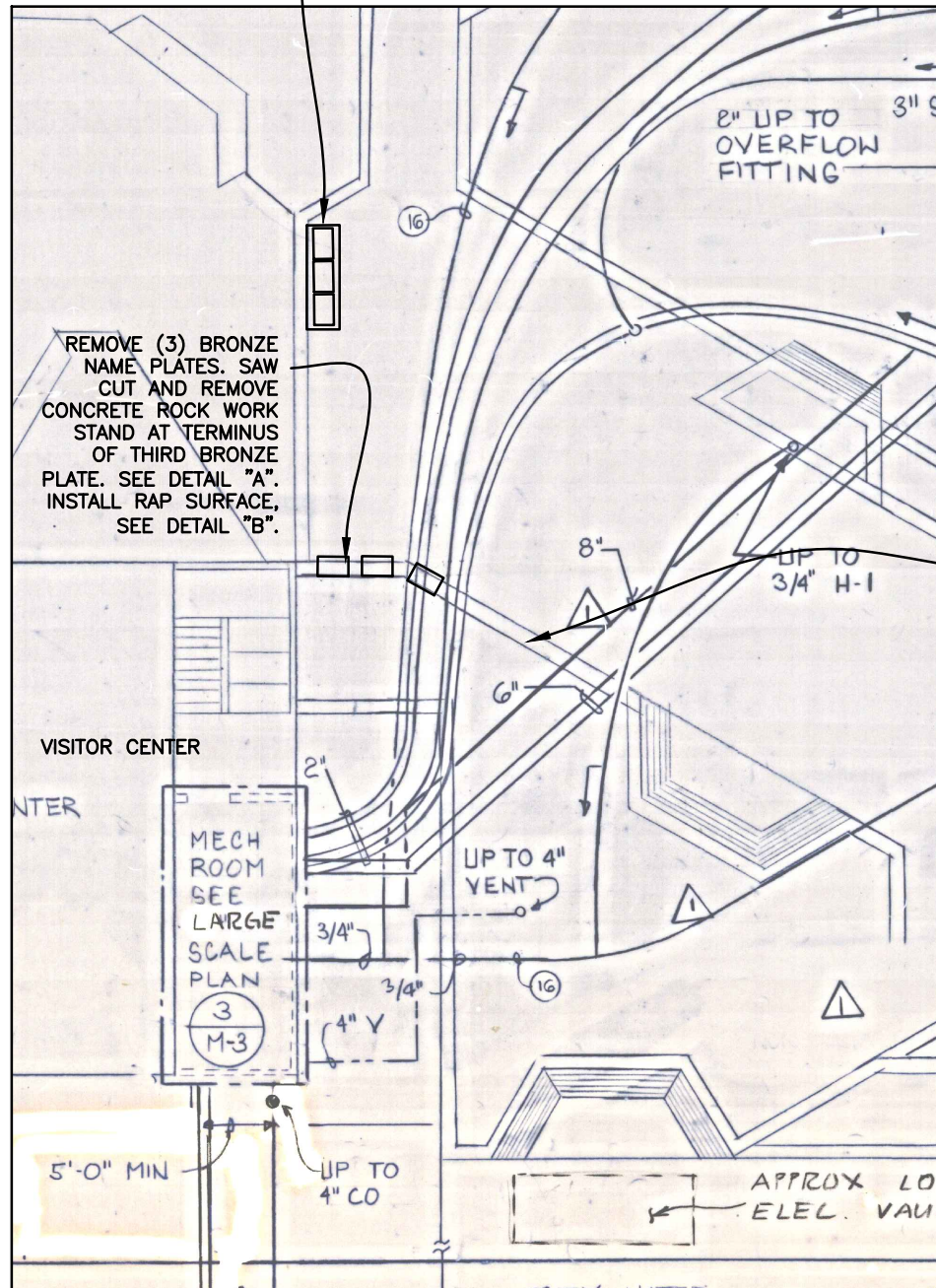
**DETAIL "A"**

REMOVE (3) BRONZE NAME PLATES & CONCRETE ROCK WORK STAND. INSTALL 6" RED CONCRETE, MATCH EXISTING PATTERN.

SAW CUT CONCRETE ROCK WORK STAND AND FORM END.

REMOVE (3) BRONZE NAME PLATES.

INSTALL HIGH STRENGTH GROUT AND BONDING AGENT TO PERIMETER OF (4) BRONZE NAME PLATES TO SECURE BRONZE NAME PLATES TO CONCRETE ROCK WORK STAND.



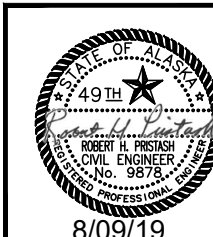
**BRONZE NAME PLATE & CONCRETE ROCK WORK STAND REMOVAL**

**DETAIL "B"**

INSTALL 4 INCHES BY 28 SF OF RECYCLED ASPHALT PRODUCT (RAP) FOR FUTURE FREE STANDING BENCHES. CITY OF FAIRBANKS TO PROVIDE RAP MATERIAL. SUBSIDIARY TO PAY ITEM 202(14).



**BRONZE NAME PLATE REPAIRS**

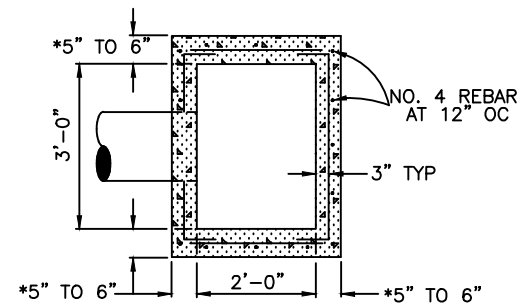


8/09/19

SCALE: NONE			DESIGNED: RHP	<b>GOLDEN HEART PLAZA REPAIR/UPGRADE ROCK WORK REPAIRS</b>	CITY OF FAIRBANKS, ALASKA Engineering Department Project #: ITB-19-14	F5 OF 9 SHEETS
			DRAWN: KLL			
			CHECKED:			
DATE: _____			DATE: _____			
DATE	REVISION	BY				



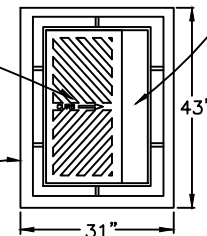




\*DIMENSION WHEN PRECAST INLET BOX WITH CONTINUOUS WWF 6x6 4/4 REINFORCEMENT IS USED

TYPICAL CURB INLET

EJIW 7070M9 GRATE OR APPROVED EQUAL  
17 3/4" X 35 1/4" X 1 7/8".  
OPEN AREA: 190 SQ. IN.  
WEIGHT: 190 LBS.



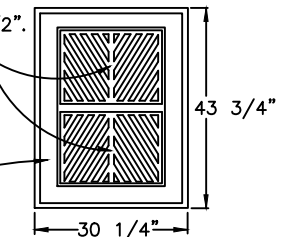
EJIW 7030Z1DI HEAVY TRAFFIC LOADING FRAME OR APPROVED EQUAL  
WEIGHT: 185 LBS.

EJIW 7030T4DI ADJUSTABLE HOOD WITH 6"-11" RANGE OR APPROVED EQUAL  
5 7/8" X 37" X 13". 3" RADIUS  
WEIGHT: 160 LBS  
EMBOSSED LETTERING:  
"DUMP NO WASTE! DRAINS TO RIVERS"  
WITH FISH IMAGE PERMANENTLY CAST INTO HOOD TOP.

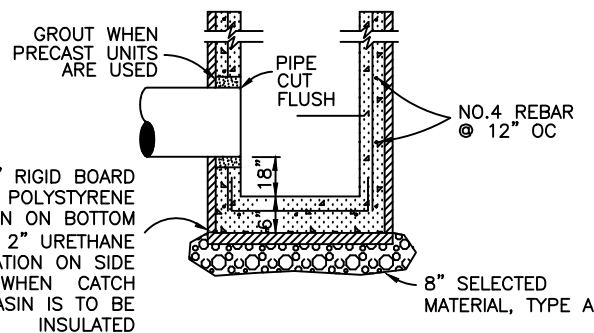
EJIW 7030T3 BACK GRATE OR APPROVED EQUAL (WHEN INLET IS LOCATED IN CURB CUT DEPRESSED SECTION):  
GRATE: 7" X 37 3/4" W/ 12" R  
WEIGHT: 105 LBS.

TYPICAL FIELD INLET

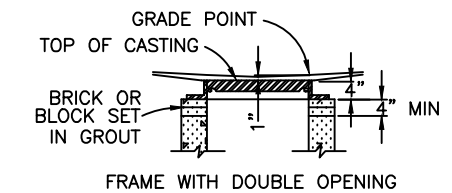
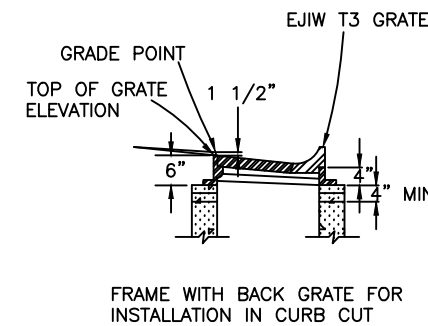
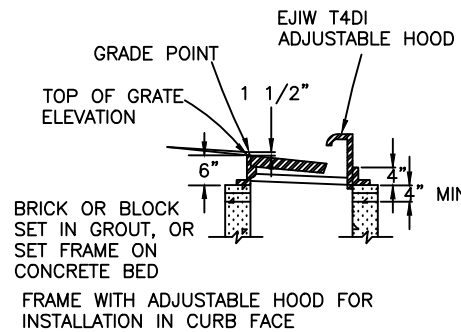
EJIW 7700M1 GRATE (2) EA OR APPROVED EQUAL  
17 3/4" X 23 3/4" X 1 1/2".  
OPEN AREA: 128 SQ. IN.



EJIW 7705Z HEAVY TRAFFIC LOADING FRAME WITH OPENINGS FOR (2) GRATES. WEIGHT: 216 LBS.  
EMBOSSED LETTERING:  
"DUMP NO POLLUTANTS"

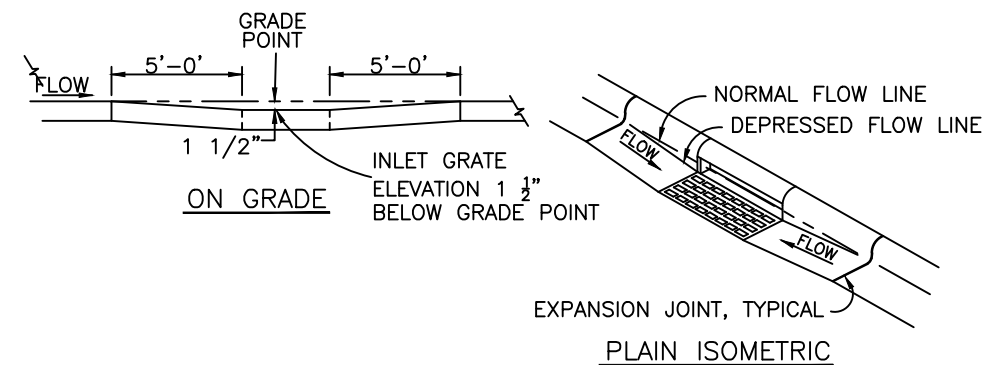


REINFORCED CATCH BASIN (STANDARD)

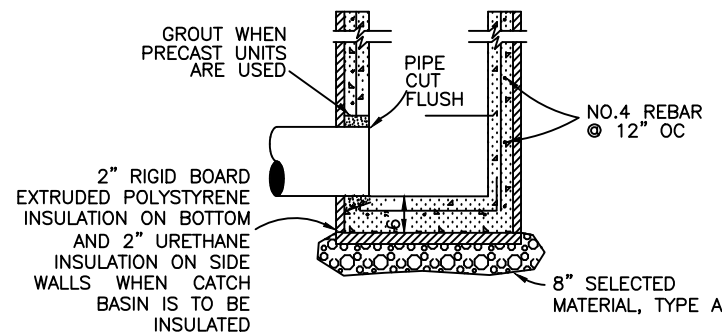


INLET BOX/CATCH BASIN DETAILS

NOT TO SCALE



DEPRESSION IN FLOW LINE AT INLET

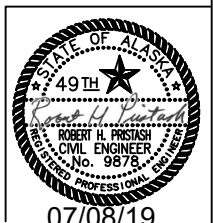


NO SUMP CATCH BASIN

ALTERNATE USED WHERE INDICATED ON PLANS

CATCH BASIN NOTES:

1. THE WORDS "INLET" AND "CATCH BASIN" SHALL BE INTERCHANGEABLE.
2. ALL GROUT SHALL BE NON-SHRINK. PROTECT GROUT DURING CURE IN ACCORDANCE WITH THE MANUFACTURER'S RECOMMENDED METHOD.
4. TYPICALLY, CATCH BASINS ARE NOT INSULATED. HOWEVER, SPECIAL CASES REQUIRE INSULATION OF ALL OUTSIDE SURFACES. SEE PLAN NOTE TO INSULATE CB.
5. GROUT THE INSIDE FACE OF ALL JOINTS SMOOTH.



07/08/19

2/3/10	NEW SD2	GSC,RHP
3/23/07		RHP
DATE	REVISION	BY

NOT TO SCALE

DESIGNED:	
DRAWN:	STAFF
CHECKED:	RHP,GSC
DATE:	3/23/07

CITY OF FAIRBANKS, ALASKA  
ENGINEERING DIVISION

STANDARD DETAILS  
STORM DRAIN CATCH BASIN

SD2