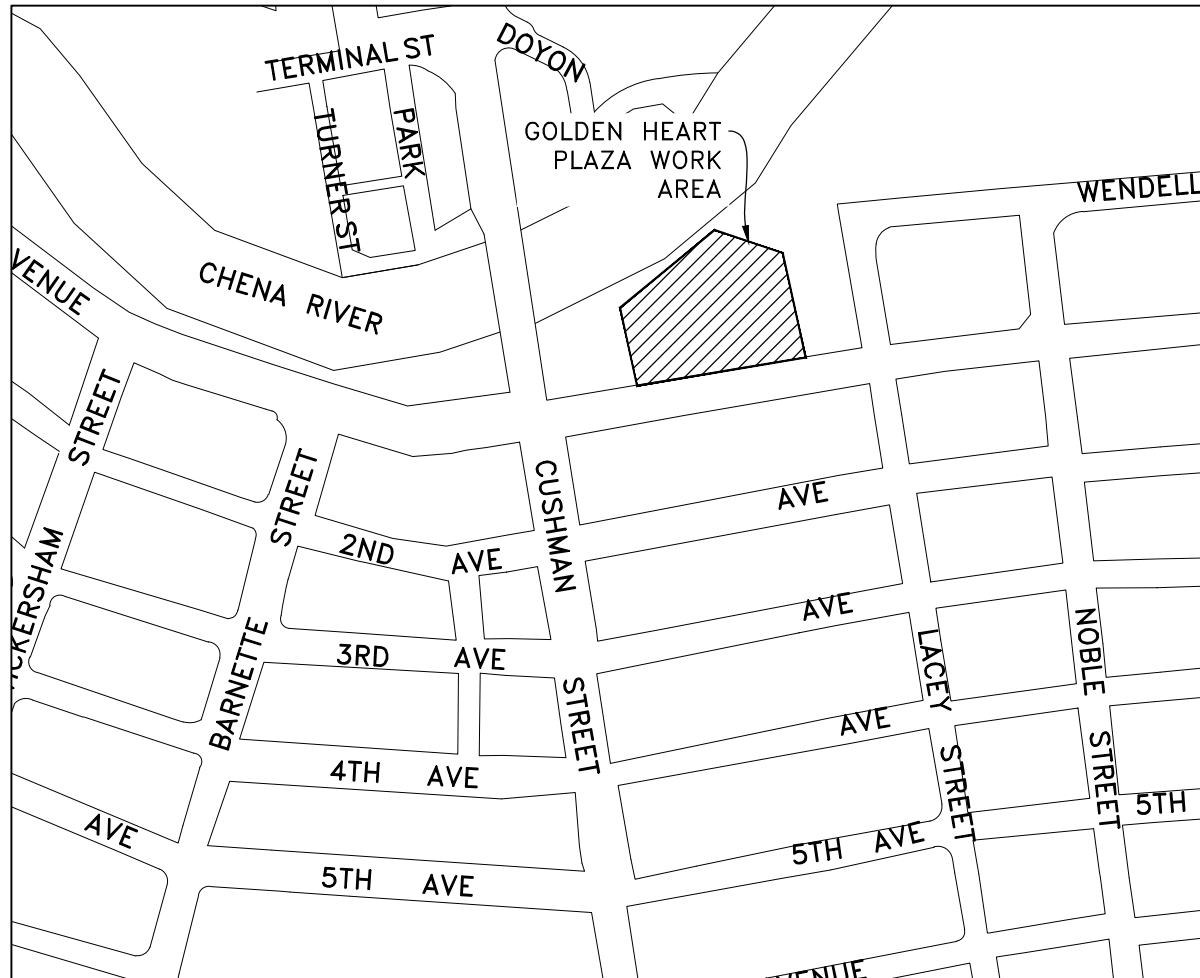


PROJECT  
LOCATION

CITY OF FAIRBANKS  
ENGINEERING DEPARTMENT

PROPOSED ROADWAY & UTILITIES PROJECT  
GOLDEN HEART PLAZA  
REPAIR/UPGRADE  
PROJECT #: ITB-19-08

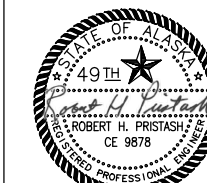
| INDEX OF SHEETS |                                  |
|-----------------|----------------------------------|
| SHEET NO.       | DESCRIPTION                      |
| A1              | TITLE SHEET                      |
| C1              | ESTIMATE OF QUANTITIES           |
| F1              | SHEET LAYOUT INDEX               |
| F2              | UTILITIES                        |
| F3              | FOUNTAIN PIPING                  |
| F4              | CONCRETE REPAIR                  |
| F5              | ROCK WORK REPAIRS                |
| CD1             | COF CONCRETE STANDARD DETAILS    |
| SD1             | COF STORM DRAIN STANDARD DETAILS |



VICINITY MAP



AREA OF IMPROVEMENTS



07/08/19

| DATE | REVISION | BY |
|------|----------|----|
|      |          |    |
|      |          |    |
|      |          |    |

SCALE: NONE

DESIGNED: RHP  
DRAWN: KLL  
CHECKED:  
DATE:

GOLDEN HEART PLAZA  
REPAIR/UPGRADE  
TITLE SHEET

CITY OF FAIRBANKS, ALASKA  
Engineering Department  
Project #: ITB-19-08

A1  
OF 9  
SHEETS

**ESTIMATE OF QUANTITIES**

| ITEM NO.  | PAY ITEM   | PAY UNIT    | QUANTITY     |
|-----------|--|-------------|--------------|
| 202(13)   | REMOVE AND STORE BRONZE NAME PLATE                             | EACH        | 6            |
| 202(15)   | REMOVAL OF CONCRETE ROCK WORK STAND                            | LUMP SUM    | ALL REQUIRED |
| 202(16)   | SAW CUT & REMOVAL OF CONCRETE FOR CATCH BASIN INSTALLATION     | LUMP SUM    | ALL REQUIRED |
| 203(19)   | EXCAVATION FOR STAIRWELL REPAIR                                | LUMP SUM    | ALL REQUIRED |
| 401(1B)   | HMA, TYPE IIL CLASS B  | TON         | 6            |
| 401(4)    | ASPHALT BINDER, GRADE 52-28                                    | TON         | 1            |
| 514(1)    | STAIRWELL REPAIR   | LUMP SUM    | ALL REQUIRED |
| 560(1)    | REPAIR CONCRETE ROCK WORK STAND & BRONZE NAME PLATES           | LUMP SUM    | ALL REQUIRED |
| 603(21)-8 | 8 INCH CORRUGATED POLYETHYLENE PIPE                            | LINEAR FOOT | 50           |
| 604(5)    | INLET, TYPE 1  | EACH        | 1            |
| 608(1A)   | CONCRETE SIDEWALK, 4 INCHES THICK                              | SQUARE YARD | 131          |
| 608(1B)   | CONCRETE SIDEWALK, 6 INCHES THICK                              | SQUARE YARD | 10           |
| 608(1C)   | RED CONCRETE SIDEWALK, 6 INCHES THICK                          | SQUARE YARD | 17           |
| 608(7)    | RADIUS SAW CUT AND REPLACE WITH TOOLED EDGE CONCRETE           | LINEAR FOOT | 50           |
| 609(2)    | CURB AND GUTTER, TYPE 1  | LINEAR FOOT | 20           |
| 618(4)    | SEEDING  | SQUARE YARD | 31           |
| 620(1)    | TOPSOIL  | SQUARE YARD | 31           |
| 626(3)    | 4 INCH SEWER SERVICE TO FUTURE BATHROOM                        | LINEAR FOOT | 60           |
| 627(11)   | DUAL 3/4 INCH Cu FROM CABIN TO FUTURE BATHROOM                 | LUMP SUM    | ALL REQUIRED |
| 627(12)   | CLEAN AND TV INSPECTION OF 6 INCH AND 8 INCH FOUNDATION PIPING | LINEAR FOOT | 300          |
| 643(2)    | TRAFFIC MAINTENANCE  | LUMP SUM    | ALL REQUIRED |



07/08/19

|      |          |    |             |               |   |   |                      |
|------|----------|----|-------------|---------------|---|---|----------------------|
|      |          |    | SCALE: NONE | DESIGNED: RHP | <b>GOLDEN HEART PLAZA<br/>REPAIR/UPGRADE<br/>ESTIMATE OF QUANTITIES</b> | CITY OF FAIRBANKS, ALASKA<br>Engineering Department<br>Project #: ITB-19-08 | C1<br>OF 9<br>SHEETS |
|      |          |    |             | DRAWN: KLL    |   |   |                      |
|      |          |    |             | CHECKED:      |   |   |                      |
| DATE | REVISION | BY |             | DATE:         |   |   |                      |



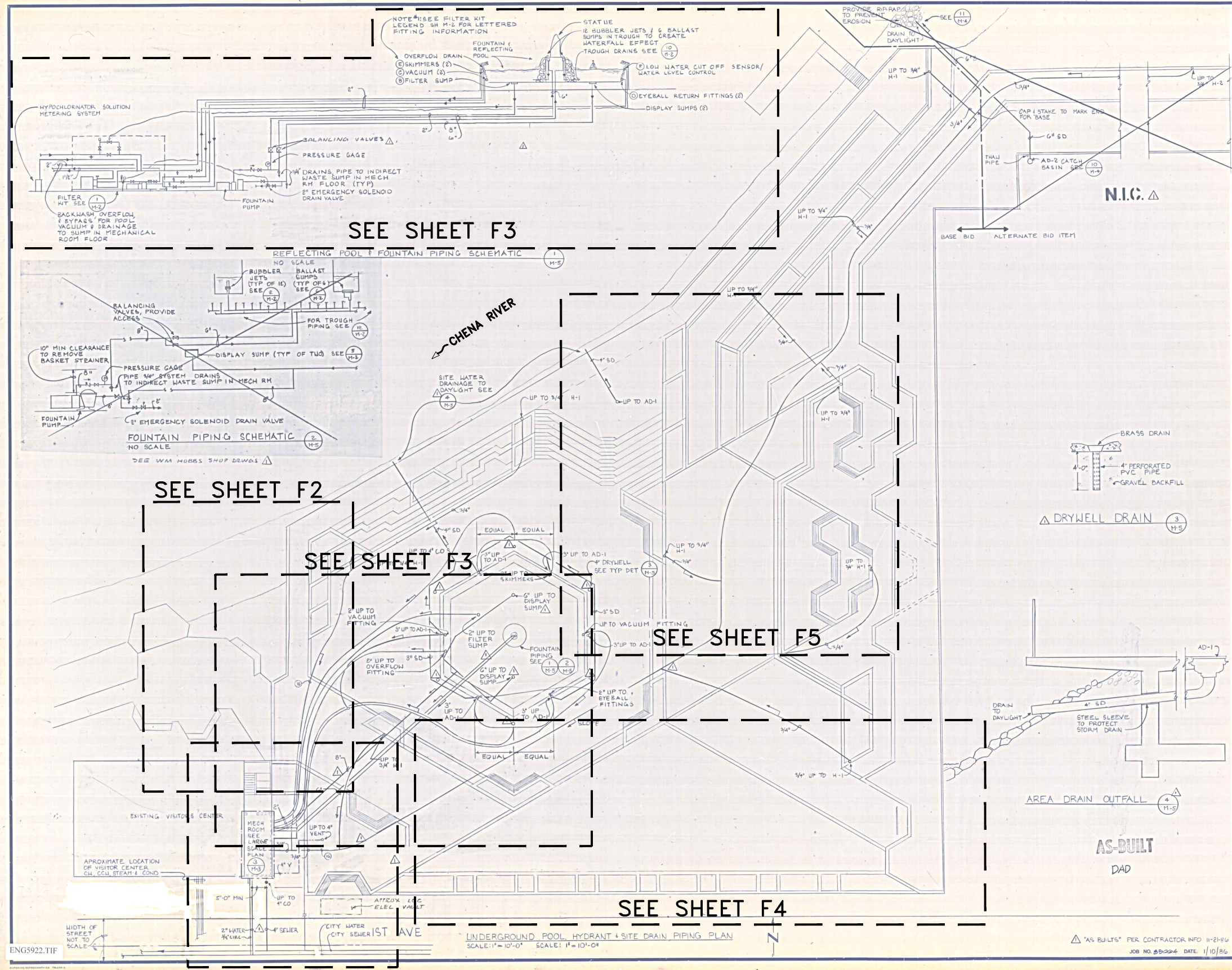


GOLDEN HEART CENTER

architects:  
G.D.M. & Associates, inc.  
Fairbanks and Anchorage, Alaska

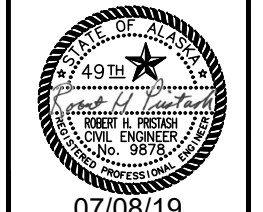
M-5  
MICROFILMED  
DATE: MAY 06 1999

8303-2



**GENERAL NOTES**

1. AS BUILT PLANS FOR "GOLDEN HEART CENTER" AVAILABLE AT CITY HALL ENGINEERING DEPARTMENT ON MYLAR FOR ADDITIONAL REVIEW.
2. NO WORK SHALL OCCUR IN GOLDEN HEART PLAZA DURING THE FAIRBANKS GOLDEN DAYS PARADE AND STREET FAIR ON JULY 20TH.



| DATE | REVISION | BY |
|------|----------|----|
|      |          |    |
|      |          |    |
|      |          |    |

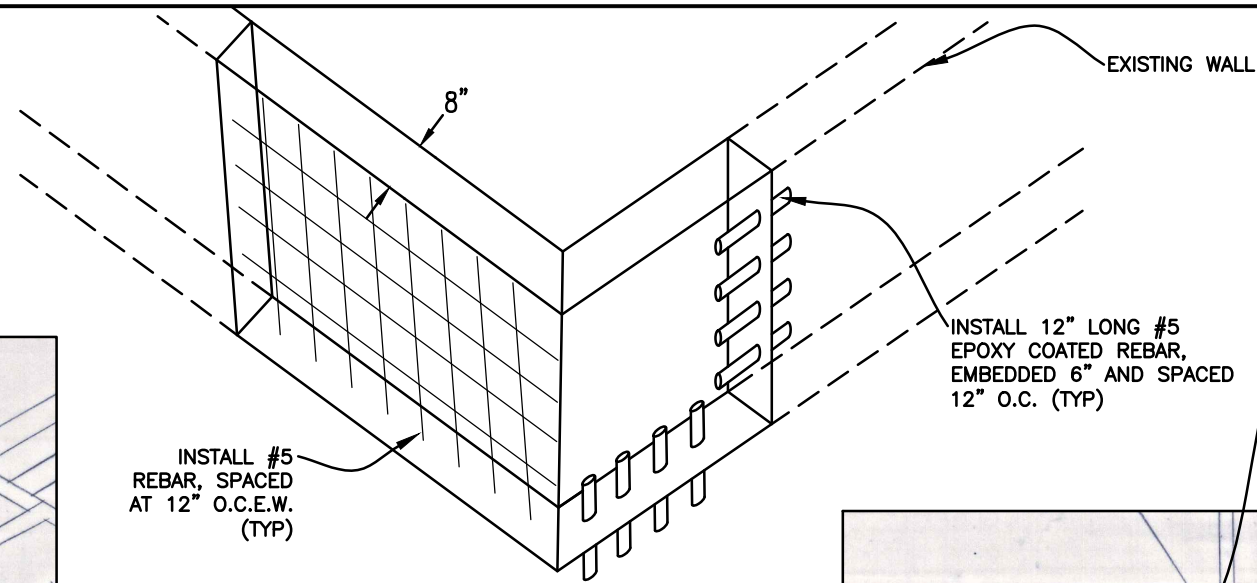
|             |               |
|-------------|---------------|
| SCALE: NONE | DESIGNED: RHP |
|             | DRAWN: KLL    |
|             | CHECKED:      |
|             | DATE:         |

**GOLDEN HEART PLAZA  
REPAIR/UPGRADE  
SHEET LAYOUT INDEX**

CITY OF FAIRBANKS, ALASKA  
Engineering Department  
Project #: ITB-19-08

F1  
OF 9  
SHEETS

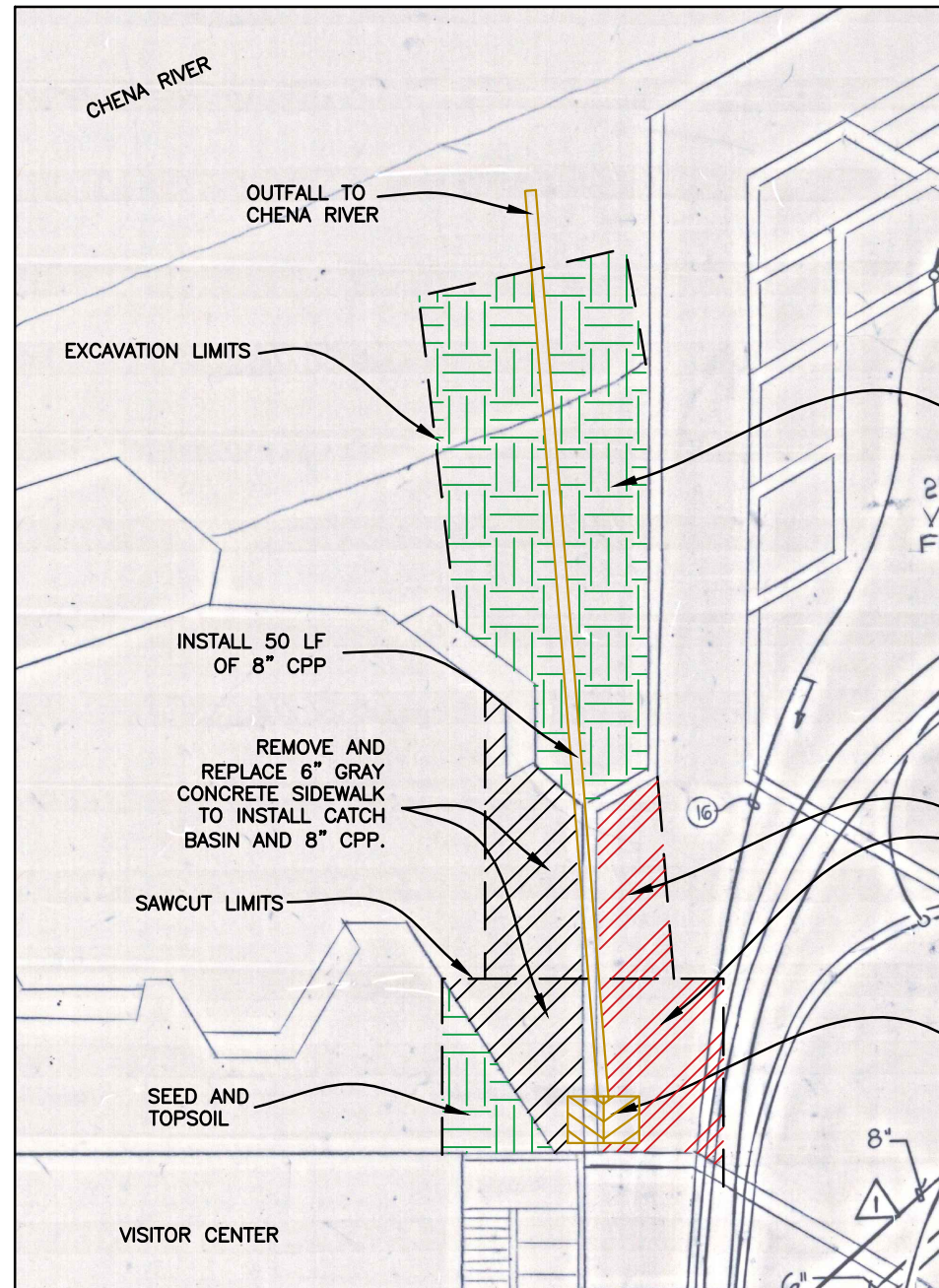




DETAIL "A"

**UTILITIES NOTES**

1. INSTALL 12 INCHES OF SELECTED MATERIAL TYPE A BENEATH ALL CONCRETE SIDEWALK AND CURB AND GUTTER. PAYMENT SUBSIDIARY TO RESPECTIVE CONCRETE SIDEWALK AND CURB AND GUTTER PAY ITEMS.



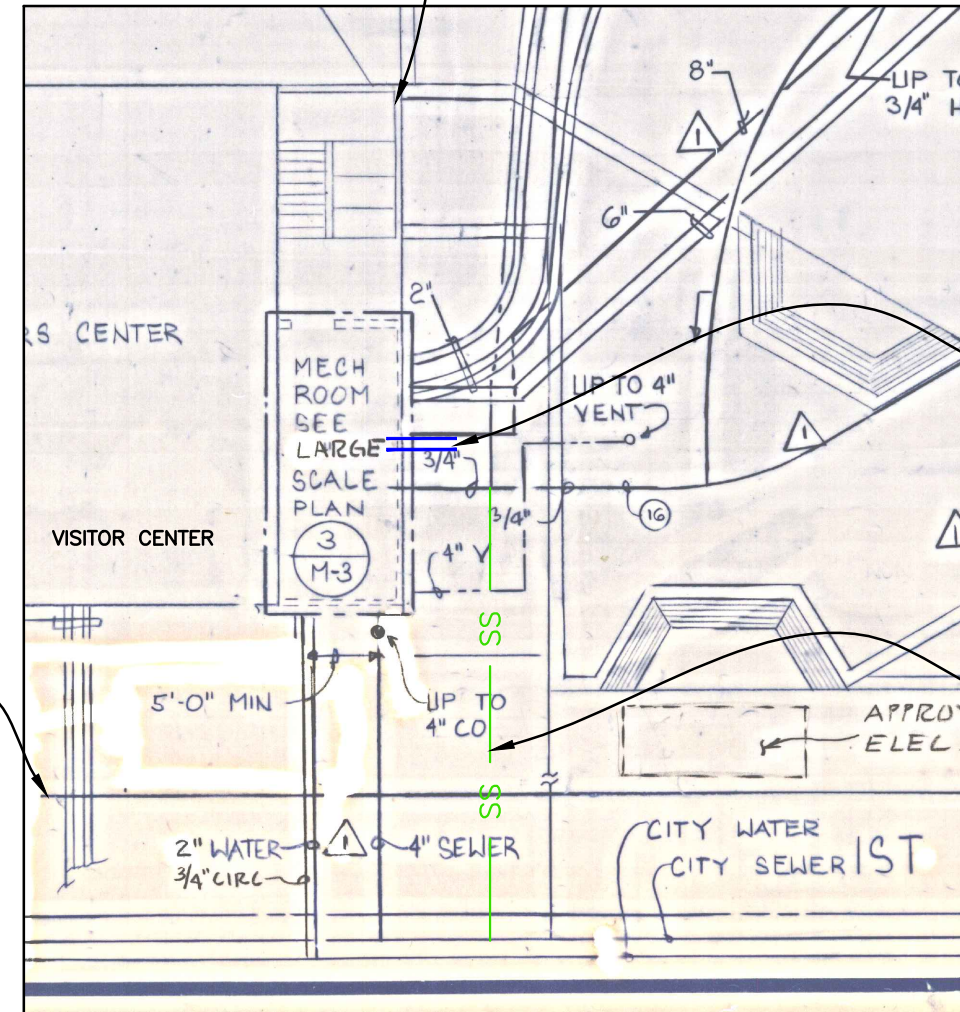
STORM DRAIN UPGRADES

INSTALL #5 REBAR, SPACED AT 12" O.C.E.W. (TYP)

SEED AND TOPSOIL DISTURBED GROUND TO INSTALL 8" CPP.

REMOVE AND REPLACE EXISTING 6" RED CONCRETE SIDEWALK TO INSTALL CATCH BASIN AND 8" CPP. MATCH EXISTING CONCRETE PATTERN.

INSTALL TYPE 1 CATCH BASIN. FINAL LOCATION TO BE APPROVED BY ENGINEER.



FUTURE BATHROOM & STAIRWELL UPGRADES

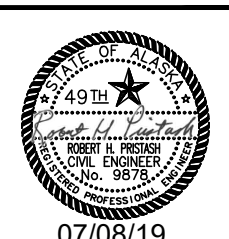
REMOVE 15 LF IN LENGTH OF STAIR WELL WALL. DRILL AND INSTALL EPOXY COATED REBAR. INSTALL FORMS AND POURED CONCRETE REPAIR WALL APPROX. 15 FT IN LENGTH. SEE DETAIL "A"

INSTALL 3/4" DUAL Cu WATER SERVICE AND STUB OUT FOR FUTURE BATHROOM. WATER SERVICE WILL TIE INTO VISITOR CENTER DOMESTIC LOCATED IN THE MECHANICAL ROOM.

INSTALL 60 LF OF 4 INCH HDPE SEWER CONDUIT & STUB OUT FOR FUTURE BATHROOM. TO BE PAID UNDER 626(3). REMOVE AND REPLACE EXISTING 4 INCH CONCRETE SIDEWALK, CURB AND GUTTER, AND 2 INCHES OF ROADWAY HMA TO INSTALL SANITARY SEWER SERVICE. TO BE PAID UNDER 608(1A), 609(2), AND 401(1B), RESPECTIVELY.

EDGE OF S/W

EXISTING 12 INCH WOOD STAVE SEWER ON 1ST AVENUE IS APPROX. 22 FEET FROM FACE OF CURB WITH AN APPROX. IE: 434'. CONTRACTOR TO FIELD LOCATE EXISTING 12 INCH SEWER MAIN.



07/08/19

| DATE | REVISION | BY |
|------|----------|----|
|      |          |    |
|      |          |    |
|      |          |    |

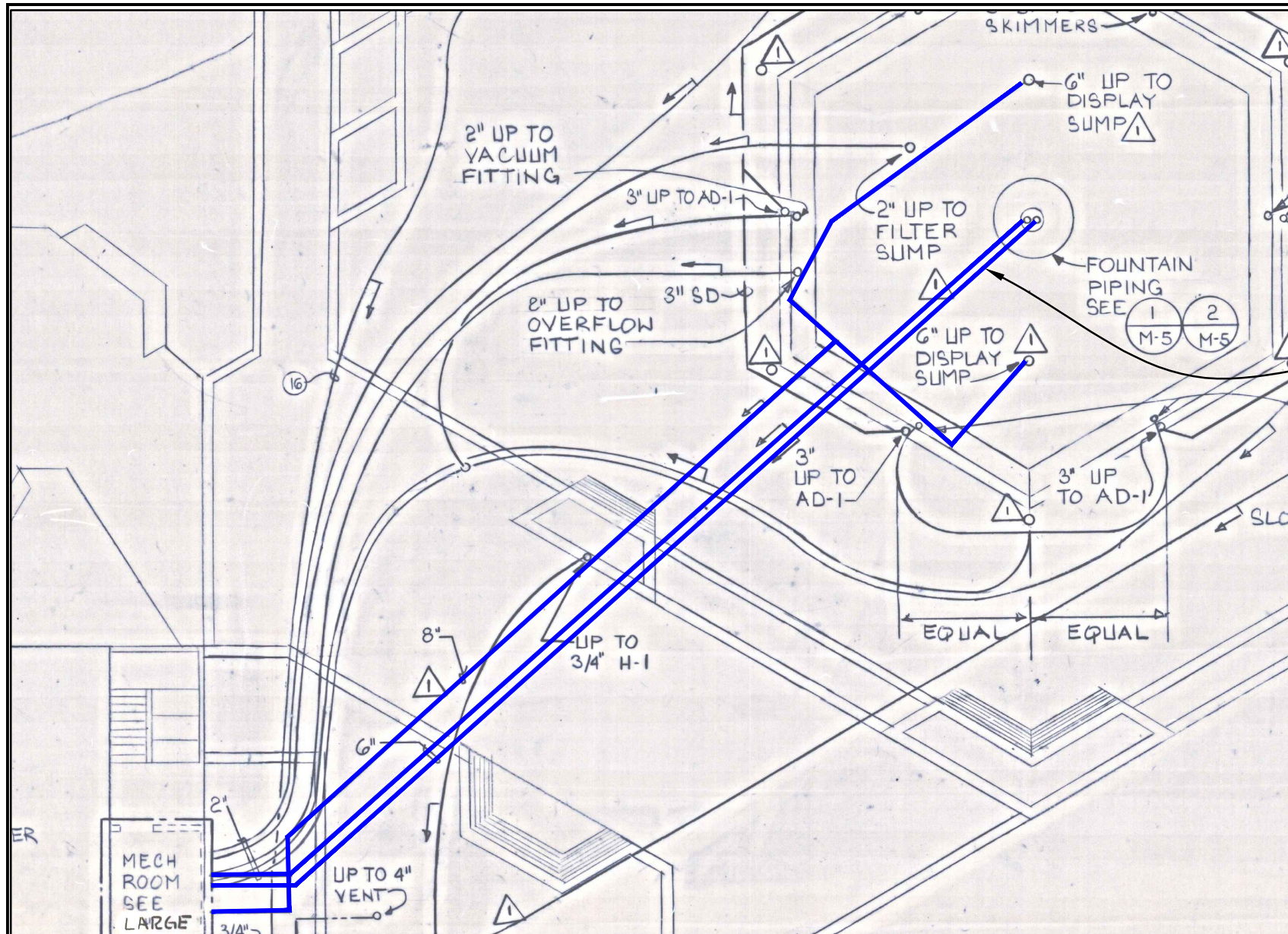
|             |               |
|-------------|---------------|
| SCALE: NONE | DESIGNED: RHP |
|             | DRAWN: KLL    |
|             | CHECKED:      |
|             | DATE:         |

**GOLDEN HEART PLAZA  
REPAIR/UPGRADE  
UTILITIES**

CITY OF FAIRBANKS, ALASKA  
Engineering Department  
Project #: ITB-19-08

F2  
OF 9  
SHEETS



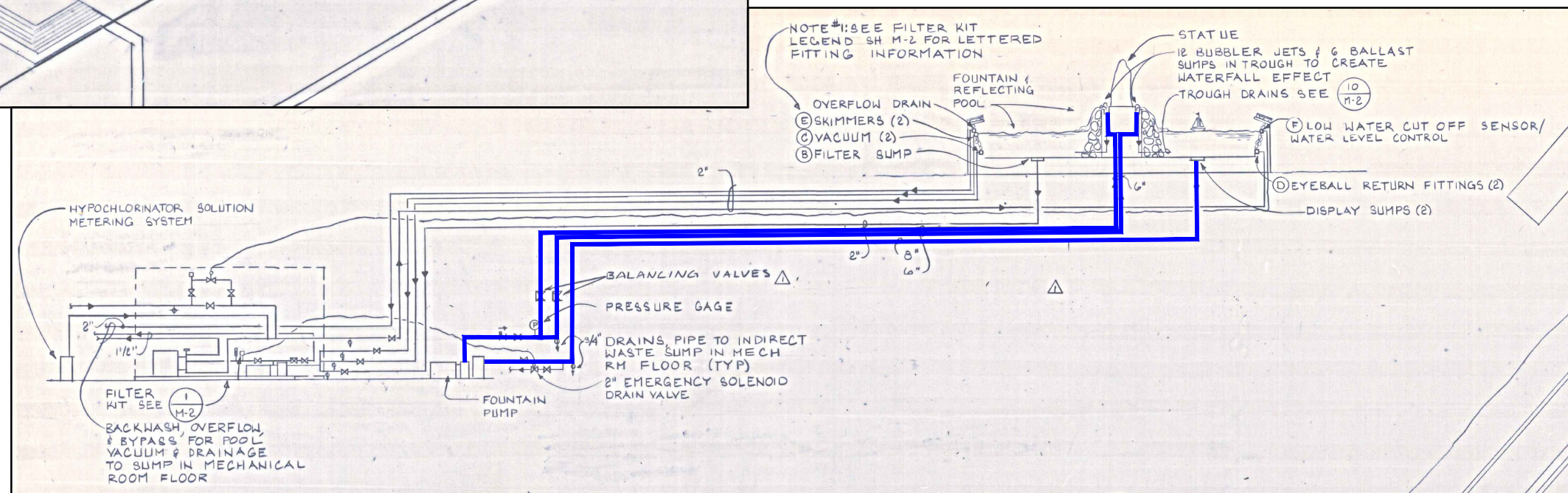


CLEAN AND TV INSPECT 195 LF OF 6 INCH AND 105 LF OF 8 INCH FOUNTAIN WATER PIPING. SEE BELOW FOR REFLECTING POOL & FOUNTAIN PIPING SCHEMATIC. TO BE PAID UNDER 627(12).

**FOUNTAIN PIPING NOTES**

1. THE VIDEO INSPECTION CAMERA SHALL HAVE THE ABILITY TO MANEUVER BETWEEN MULTIPLE 90 DEGREE BENDS, SEE FOUNTAIN PIPING SCHEMATIC AND PLANS.

**FOUNTAIN PIPING PLAN**



**REFLECTING POOL & FOUNTAIN PIPING SCHEMATIC**



07/08/9

| DATE | REVISION | BY |
|------|----------|----|
|      |          |    |
|      |          |    |
|      |          |    |

SCALE: NONE

DESIGNED: RHP

DRAWN: KLL

CHECKED:

DATE:

**GOLDEN HEART PLAZA  
REPAIR/UPGRADE  
FOUNTAIN PIPING**

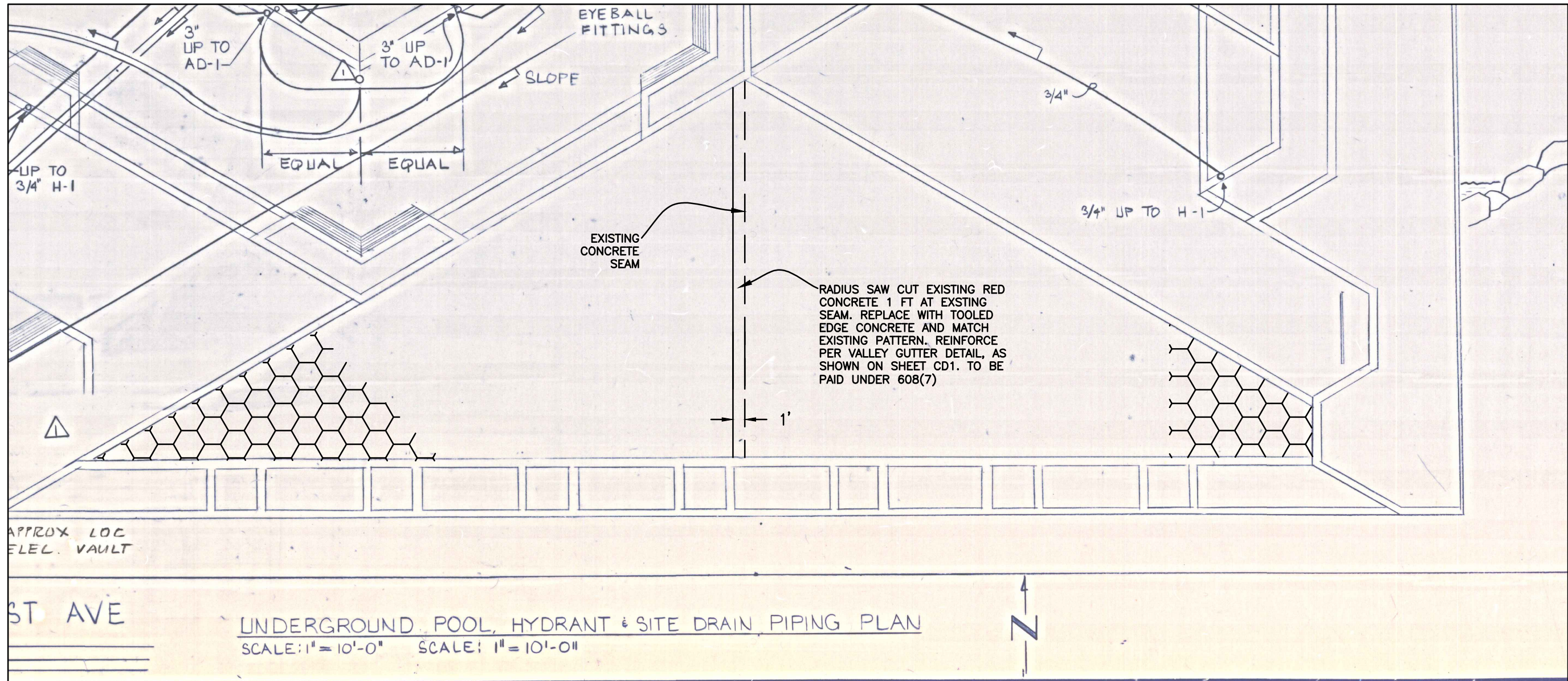
CITY OF FAIRBANKS, ALASKA  
Engineering Department

Project #: ITB-19-08

F3

OF 9  
SHEETS





**CONCRETE REPAIR**

**CONCRETE REPAIR NOTES**

- COORDINATE WITH ELECTRICAL CONTRACTOR TO INSTALL CONDUIT IN TRENCH.



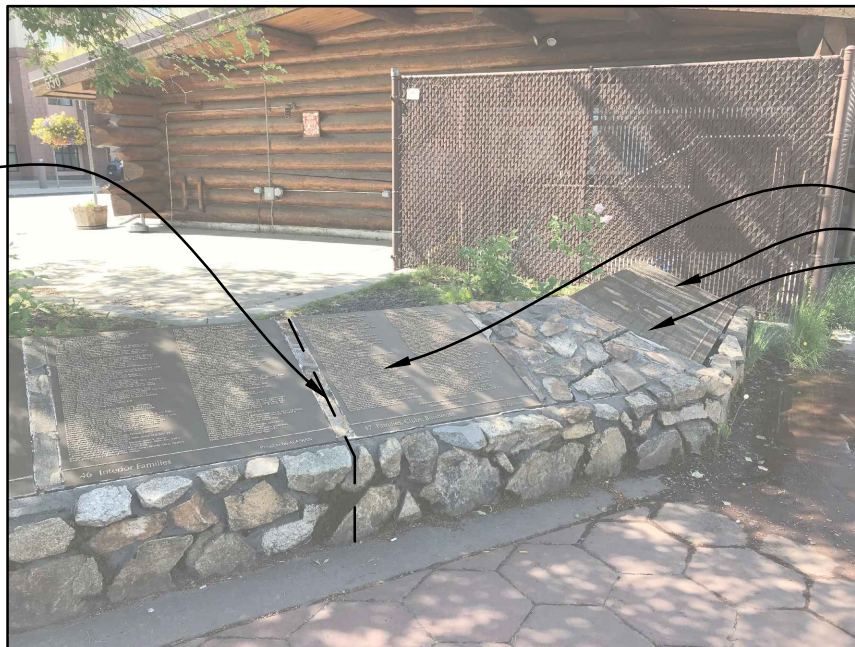
07/08/19

|      |          |    |             |               |  |   |                             |
|------|----------|----|-------------|---------------|--|---|-----------------------------|
|      |          |    | SCALE: NONE | DESIGNED: RHP | <b>GOLDEN HEART PLAZA<br/>REPAIR/UPGRADE<br/>CONCRETE REPAIR</b> | CITY OF FAIRBANKS, ALASKA<br>Engineering Department<br>Project #: ITB-19-08 | <b>F4</b><br>OF 9<br>SHEETS |
|      |          |    |             | DRAWN: KLL    |  |   |                             |
|      |          |    |             | CHECKED:      |  |   |                             |
| DATE | REVISION | BY |             | DATE:         |  |   |                             |



**ROCK WORK REPAIR NOTES**

1. ALL REMOVED BRONZE NAME PLATES SHALL BE LEFT ON SITE, SECURED ON A PALLET WITH 1 INCH OF FOAM BOARD PLACED BETWEEN EACH BRONZE PLATE TO PROTECT THEM DURING TRANSPORT. INTERIOR WELDING WILL PICK UP AND STORE BRONZE NAME PLATES, TO BE COORDINATED BY JULIE JONES WITH FESTIVAL FAIRBANKS.



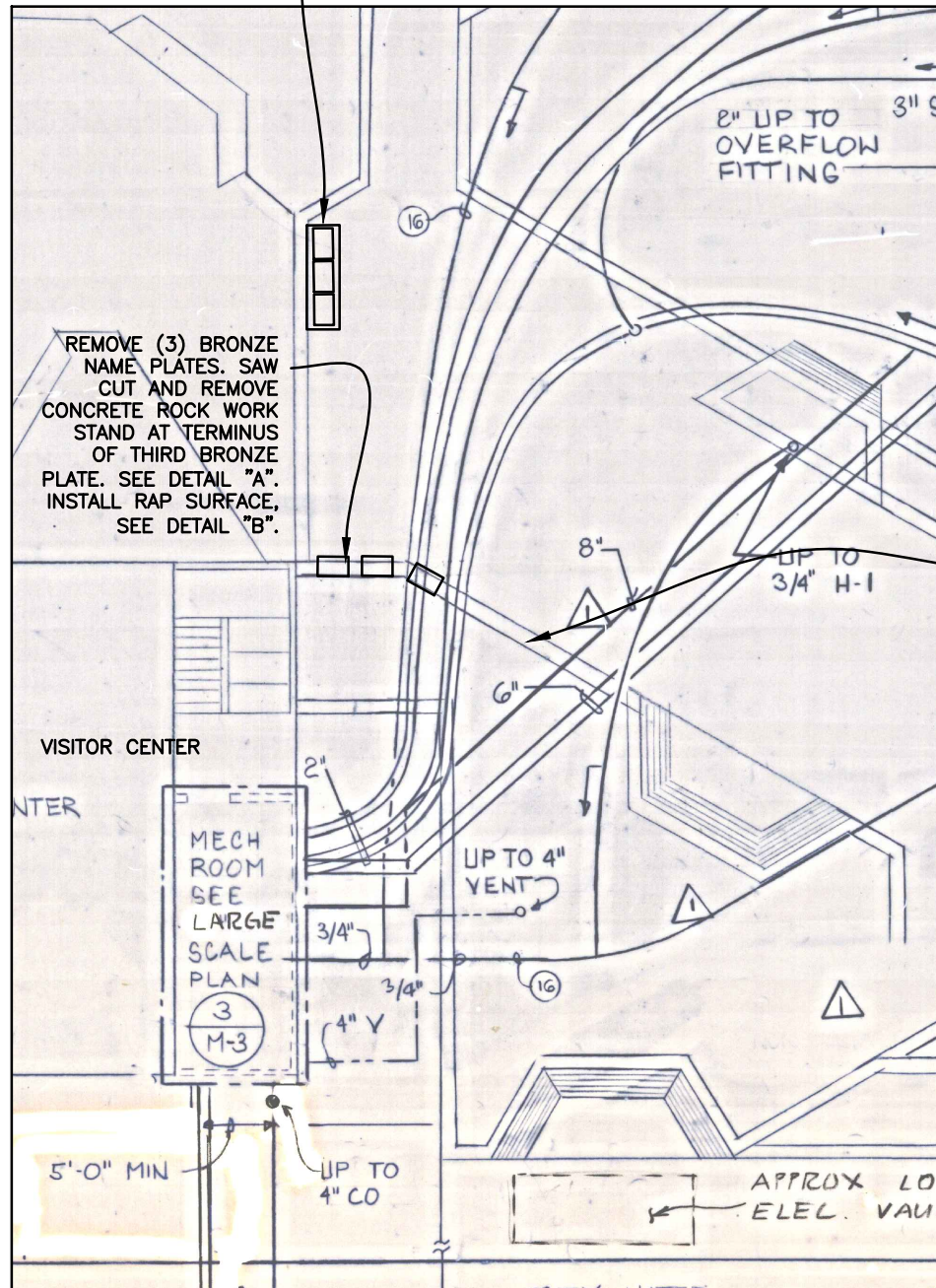
**DETAIL "A"**

REMOVE (3) BRONZE NAME PLATES & CONCRETE ROCK WORK STAND. INSTALL 6" RED CONCRETE, MATCH EXISTING PATTERN.

SAW CUT CONCRETE ROCK WORK STAND AND FORM END.

REMOVE (3) BRONZE NAME PLATES.

INSTALL HIGH STRENGTH GROUT AND BONDING AGENT TO PERIMETER OF (4) BRONZE NAME PLATES TO SECURE BRONZE NAME PLATES TO CONCRETE ROCK WORK STAND.



**BRONZE NAME PLATE & CONCRETE ROCK WORK STAND REMOVAL**

REMOVE DEBRIS AND LEAVES BETWEEN BRONZE NAME PLATES AND CONCRETE ROCK WORK STAND. INSTALL BACKING AND HOT POURED ELASTIC TYPE JOINT SEAL BETWEEN BRONZE NAME PLATES AND CONCRETE ROCK WORK STAND.

EXISTING CONCRETE PAD

GRADE AND SMOOTH TRANSITION BETWEEN EXISTING CONCRETE PAD AND RAP SURFACE. SUBSIDIARY TO PAY ITEM 202(14).

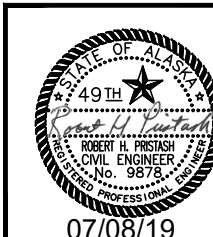
FUTURE FREE STANDING BENCHES TO BE INSTALLED BY OTHERS.

**DETAIL "B"**

INSTALL 4 INCHES BY 28 SF OF RECYCLED ASPHALT PRODUCT (RAP) FOR FUTURE FREE STANDING BENCHES. CITY OF FAIRBANKS TO PROVIDE RAP MATERIAL. SUBSIDIARY TO PAY ITEM 202(14).



**BRONZE NAME PLATE REPAIRS**



| DATE | REVISION | BY |
|------|----------|----|
|      |          |    |
|      |          |    |
|      |          |    |

SCALE: NONE

DESIGNED: RHP  
 DRAWN: KLL  
 CHECKED:       
 DATE:         

**GOLDEN HEART PLAZA  
 REPAIR/UPGRADE  
 ROCK WORK REPAIRS**

CITY OF FAIRBANKS, ALASKA  
 Engineering Department  
 Project #: ITB-19-08

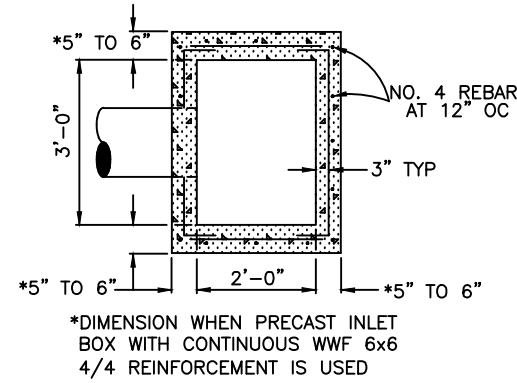
**F5**  
 OF 9  
 SHEETS



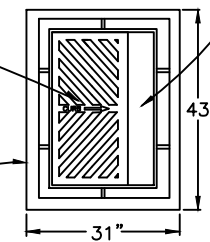




TYPICAL CURB INLET



EJIW 7070M9 GRATE OR APPROVED EQUAL  
17 3/4" X 35 1/4" X 1 7/8".  
OPEN AREA: 190 SQ. IN.  
WEIGHT: 190 LBS.



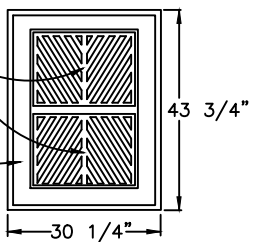
EJIW 7030Z1DI HEAVY TRAFFIC LOADING FRAME OR APPROVED EQUAL  
WEIGHT: 185 LBS.

EJIW 7030T4DI ADJUSTABLE HOOD WITH 6"-11" RANGE OR APPROVED EQUAL  
5 7/8" X 37" X 13". 3" RADIUS  
WEIGHT: 160 LBS  
EMBOSSED LETTERING:  
"DUMP NO WASTE! DRAINS TO RIVERS"  
WITH FISH IMAGE PERMANENTLY CAST INTO HOOD TOP.

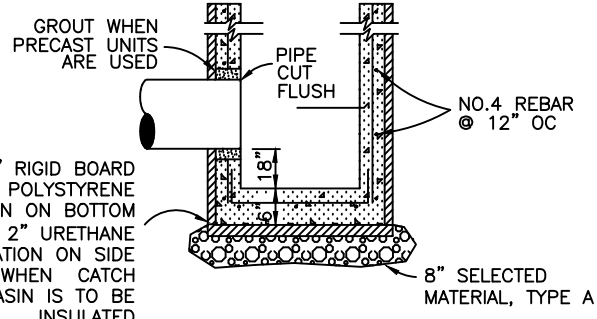
EJIW 7030T3 BACK GRATE OR APPROVED EQUAL (WHEN INLET IS LOCATED IN CURB CUT DEPRESSED SECTION):  
GRATE: 7" X 37 3/4" W/ 12" R  
WEIGHT: 105 LBS.

TYPICAL FIELD INLET

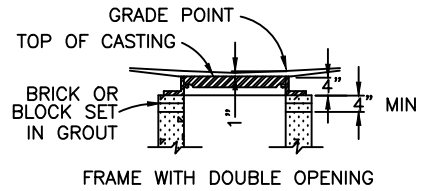
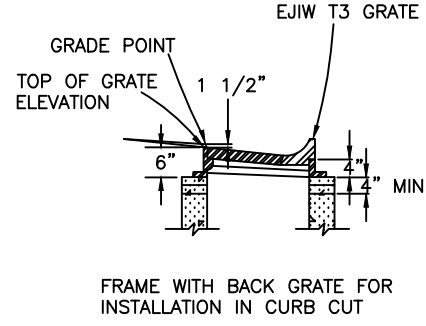
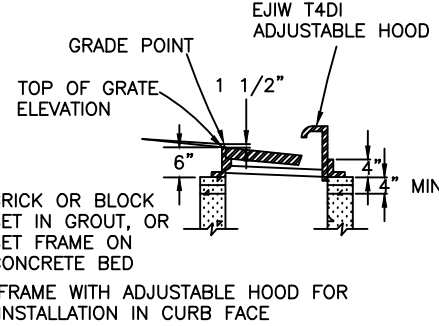
EJIW 7700M1 GRATE (2) EA OR APPROVED EQUAL  
17 3/4" X 23 3/4" X 1 1/2".  
OPEN AREA: 128 SQ. IN.



EJIW 7705Z HEAVY TRAFFIC LOADING FRAME WITH OPENINGS FOR (2) GRATES. WEIGHT: 216 LBS.  
EMBOSSED LETTERING:  
"DUMP NO POLLUTANTS"

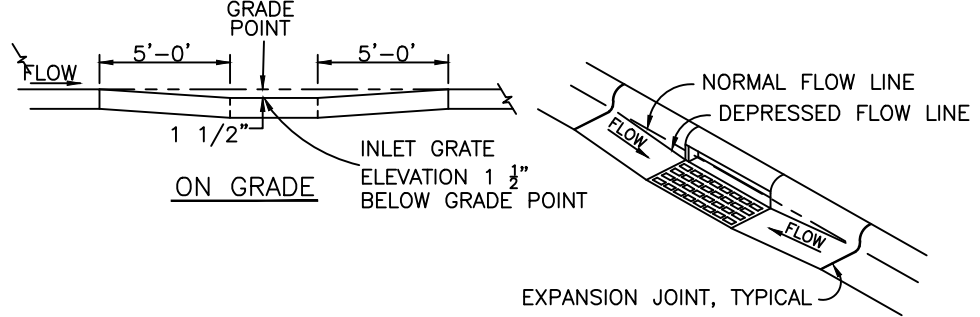


**REINFORCED CATCH BASIN (STANDARD)**



**INLET BOX/CATCH BASIN DETAILS**

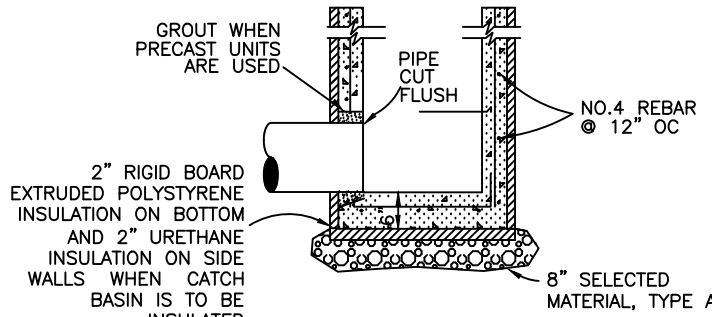
NOT TO SCALE



**DEPRESSION IN FLOW LINE AT INLET**

**CATCH BASIN NOTES:**

1. THE WORDS "INLET" AND "CATCH BASIN" SHALL BE INTERCHANGEABLE.
2. ALL GROUT SHALL BE NON-SHRINK. PROTECT GROUT DURING CURE IN ACCORDANCE WITH THE MANUFACTURER'S RECOMMENDED METHOD.
4. TYPICALLY, CATCH BASINS ARE NOT INSULATED. HOWEVER, SPECIAL CASES REQUIRE INSULATION OF ALL OUTSIDE SURFACES. SEE PLAN NOTE TO INSULATE CB.
5. GROUT THE INSIDE FACE OF ALL JOINTS SMOOTH.



**NO SUMP CATCH BASIN**

ALTERNATE USED WHERE INDICATED ON PLANS

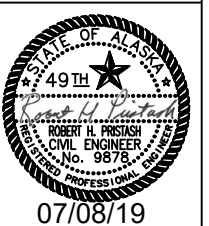
|         |          |         |
|---------|----------|---------|
| 2/3/10  | NEW SD2  | GSC,RHP |
| 3/23/07 |          | RHP     |
| DATE    | REVISION | BY      |

NOT TO SCALE

|           |         |
|-----------|---------|
| DESIGNED: |         |
| DRAWN:    | STAFF   |
| CHECKED:  | RHP,GSC |
| DATE:     | 3/23/07 |

CITY OF FAIRBANKS, ALASKA  
ENGINEERING DIVISION

STANDARD DETAILS  
STORM DRAIN CATCH BASIN



07/08/19

SD2