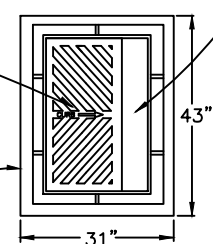


*DIMENSION WHEN PRECAST INLET BOX WITH CONTINUOUS WWF 6x6 4/4 REINFORCEMENT IS USED

TYPICAL CURB INLET

EJIW 7070M9 GRATE OR APPROVED EQUAL
17 3/4" X 35 1/4" X 1 7/8".
OPEN AREA: 190 SQ. IN.
WEIGHT: 190 LBS.



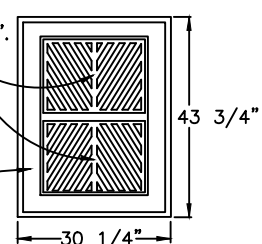
EJIW 7030Z1DI HEAVY TRAFFIC LOADING FRAME OR APPROVED EQUAL
WEIGHT: 185 LBS.

EJIW 7030T4DI ADJUSTABLE HOOD WITH 6"-11" RANGE OR APPROVED EQUAL
5 7/8" X 37" X 13". 3" RADIUS
WEIGHT: 160 LBS
EMBOSSED LETTERING:
"DUMP NO WASTE! DRAINS TO RIVERS"
WITH FISH IMAGE PERMANENTLY CAST INTO HOOD TOP.

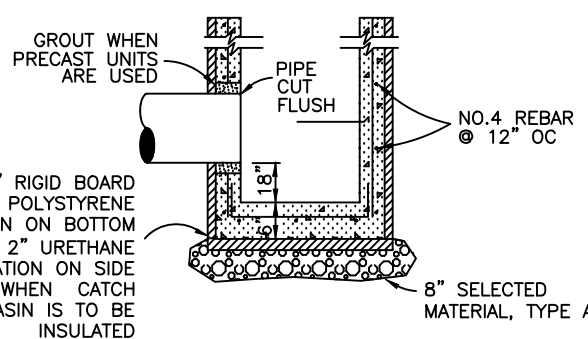
EJIW 7030T3 BACK GRATE OR APPROVED EQUAL (WHEN INLET IS LOCATED IN CURB CUT DEPRESSED SECTION):
GRATE: 7" X 37 3/4" W/ 12" R
WEIGHT: 105 LBS.

TYPICAL FIELD INLET

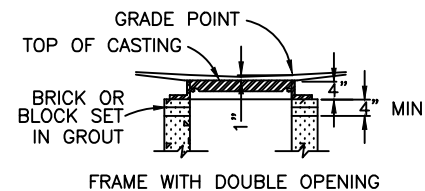
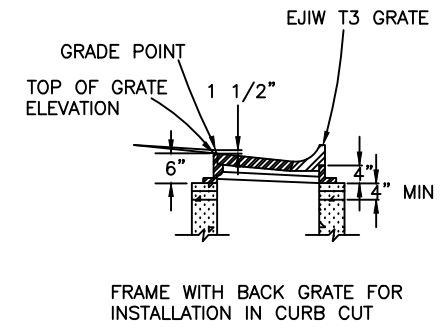
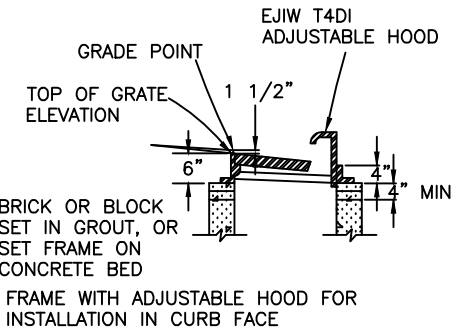
EJIW 7700M1 GRATE (2) EA OR APPROVED EQUAL
17 3/4" X 23 3/4" X 1 1/2".
OPEN AREA: 128 SQ. IN.



EJIW 7705Z HEAVY TRAFFIC LOADING FRAME WITH OPENINGS FOR (2) GRATES. WEIGHT: 216 LBS.
EMBOSSED LETTERING:
"DUMP NO POLLUTANTS"

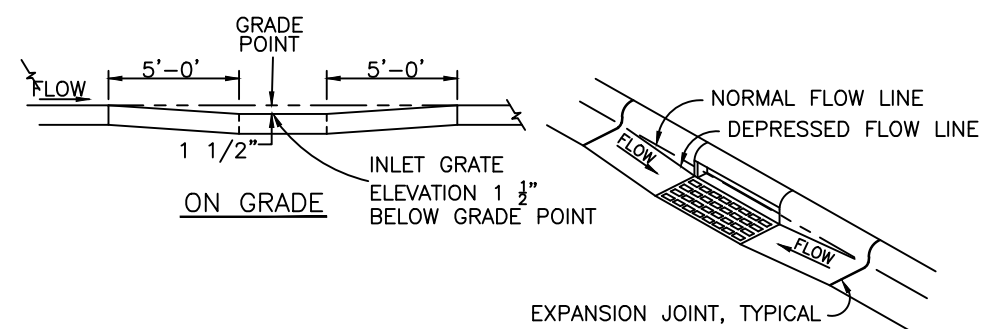


REINFORCED CATCH BASIN (STANDARD)



INLET BOX/CATCH BASIN DETAILS

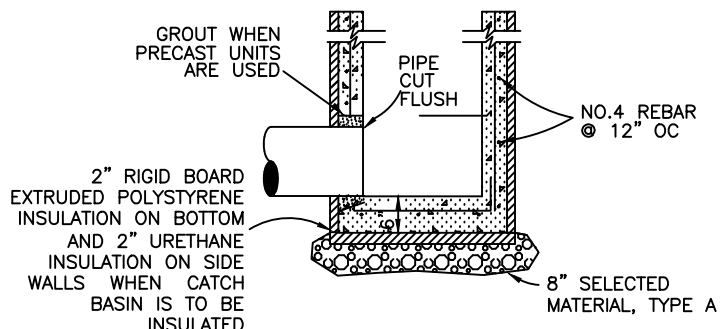
NOT TO SCALE



DEPRESSION IN FLOW LINE AT INLET

CATCH BASIN NOTES:

1. THE WORDS "INLET" AND "CATCH BASIN" SHALL BE INTERCHANGEABLE.
2. ALL GROUT SHALL BE NON-SHRINK. PROTECT GROUT DURING CURE IN ACCORDANCE WITH THE MANUFACTURER'S RECOMMENDED METHOD.
4. TYPICALLY, CATCH BASINS ARE NOT INSULATED. HOWEVER, SPECIAL CASES REQUIRE INSULATION OF ALL OUTSIDE SURFACES. SEE PLAN NOTE TO INSULATE CB.
5. GROUT THE INSIDE FACE OF ALL JOINTS SMOOTH.



NO SUMP CATCH BASIN

ALTERNATE USED WHERE INDICATED ON PLANS

2/3/10	NEW SD2	GSC,RHP
3/23/07		RHP
DATE	REVISION	BY

NOT TO SCALE

DESIGNED:	
DRAWN:	STAFF
CHECKED:	RHP,GSC
DATE:	3/23/07

CITY OF FAIRBANKS, ALASKA
ENGINEERING DIVISION

STANDARD DETAILS
STORM DRAIN CATCH BASIN

