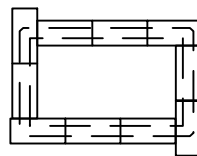
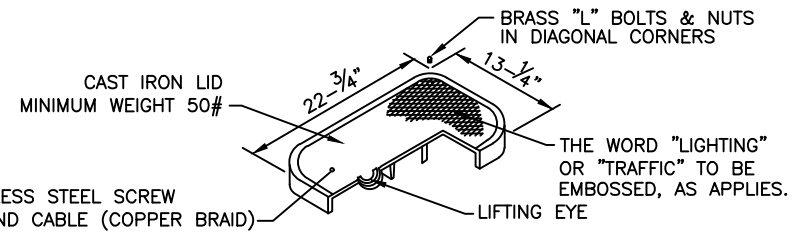


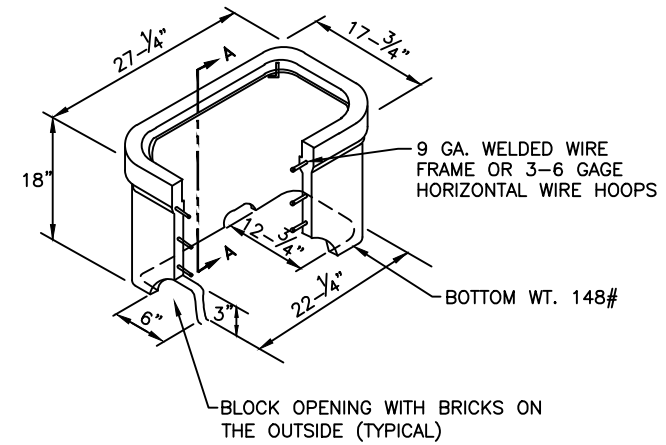
**MONUMENT BASE AND CASE DETAIL**

SOLID COVER: 14 1/4" DIA. X 1 1/2"  
 WEIGHT: 54 LBS.  
 EMBOSSED WITH CUSTOM MC LOGO  
 FRAME: 9" DEEP & 18 1/2" OD FLANGE  
 WEIGHT: 116 LBS  
 HEAVY TRAFFIC LOADING  
 MACHINED FRAME AND COVER  
 EJIW NO. 3685  
 OR APPROVED EQUAL

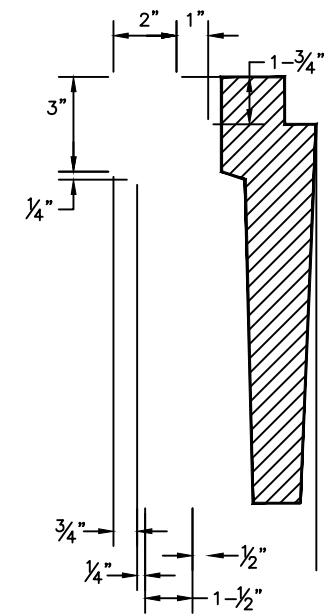


BRICK BASE

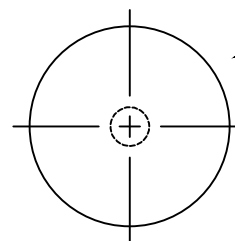
**TYPE IA JUNCTION BOX**



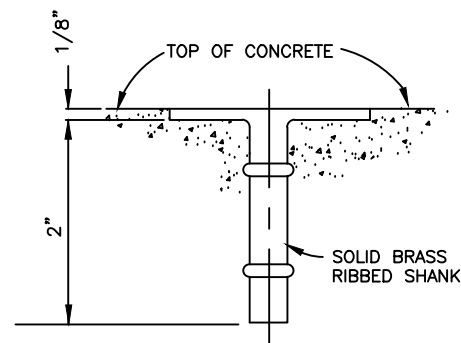
**TYPE IA JUNCTION BOX DETAIL**



**SECTION A-A**



**TOP VIEW**



**PROFILE**

**FLAT SURVEY MARKER DETAIL A**

DIE-CAST SOLID BRASS 2"Ø TOP  
 SOKKIA #813403 SURVEY MONUMENT MARKER (OR APPROVED EQUAL)

SOLID BRASS RIBBED SHANK

NOT TO SCALE

11/19/14	JUNCTION BOX ADDED	RHP,STC
2/1/10	NEW CD2	RHP,GSC
10/27/08		RHP
DATE	REVISION	BY

DESIGNED:	STAFF
DRAWN:	STAFF
CHECKED:	RHP,GSC
DATE:	3/23/07

CITY OF FAIRBANKS, ALASKA  
 ENGINEERING DIVISION

STANDARD CONCRETE DETAILS  
 MONUMENT BASE, CASE AND MARKER

