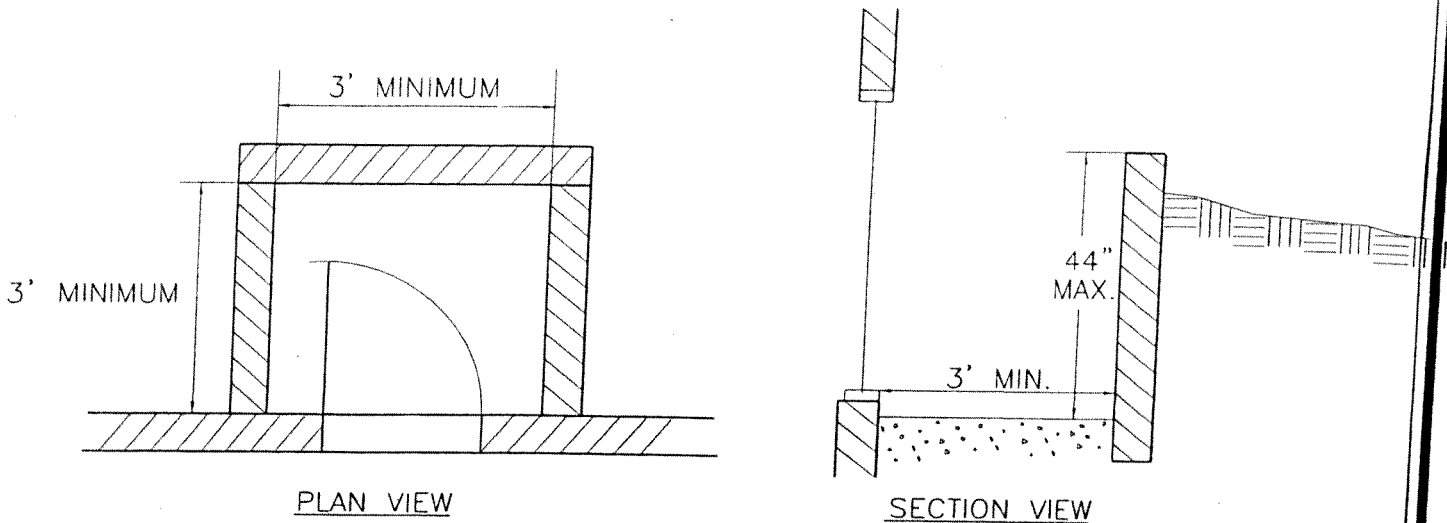


Visit us on the Web
 at
www.ci.fairbanks.ak.us/buildfbks

**MINIMUM SIZED RESCUE OR ESCAPE
 WINDOWS FROM SLEEPING ROOMS
 Section 310.4**

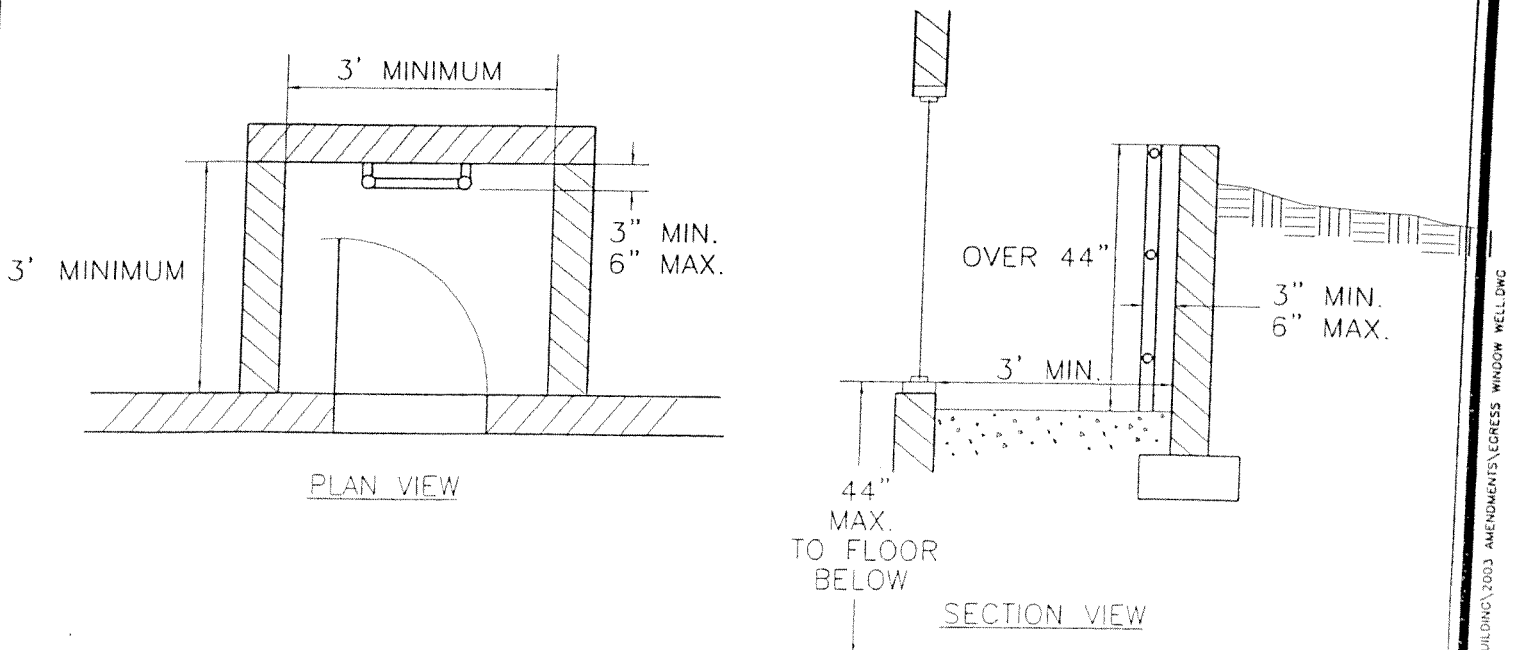
EGRESS WINDOW WELLS LESS THAN OR EQUAL TO 44" DEEP

THE WINDOW WELL SHALL HAVE A MINIMUM UNOBSTRUCTED AREA IN PLAN VIEW OF 3'x3' FOR THE FULL DEPTH. THE WELL SHALL ALSO ALLOW THE WINDOW TO FULLY OPEN. ALL MATERIALS ARE TO BE APPROVED AND RESISTANT TO CORROSION AND DECAY.



EGRESS WINDOW WELLS GREATER THAN 44" DEEP

WHEN THE WELL IS GREATER THAN 44" DEEP ALL OF THE ABOVE APPLIES. IN ADDITION, APPROVED STAIRS OR A PERMANENTLY AFFIXED LADDER MUST BE INSTALLED AND PROJECTION OF THE SAME SHALL NOT ENCROACH MORE THAN 6" INTO THE MINIMUM AREA. LADDER RUNGS MUST BE AT LEAST 12" WIDE AND SPACED NO MORE THAN 18" APART.



CITY OF FAIRBANKS
BUILDING DEPARTMENT

EGRESS WINDOW WELL
PER IRC SECTION R310.2