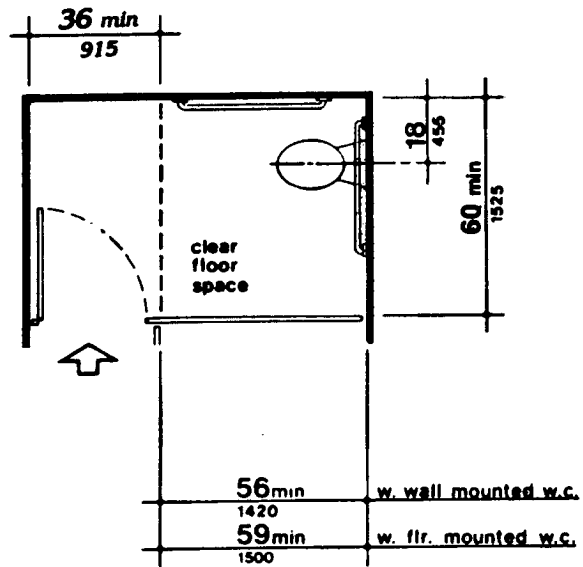
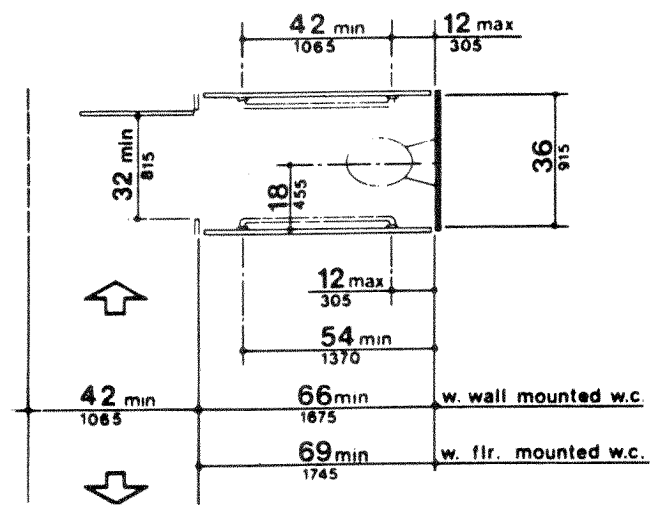


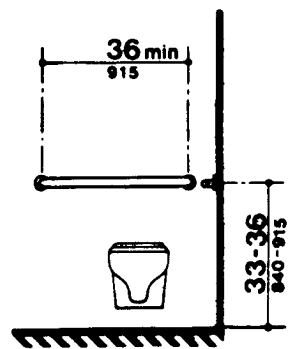
(a) Standard Stall



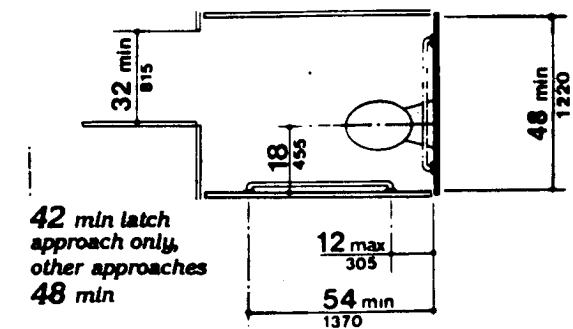
(a-1) Standard Stall (end of row)



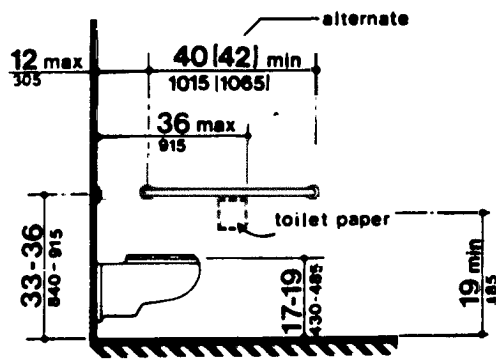
(b) Alternate Stalls



(c) Rear Wall of Standard Stall



42 min latch approach only, other approaches 48 min



(d) Side Walls

Fig. 30 Toilet Stalls