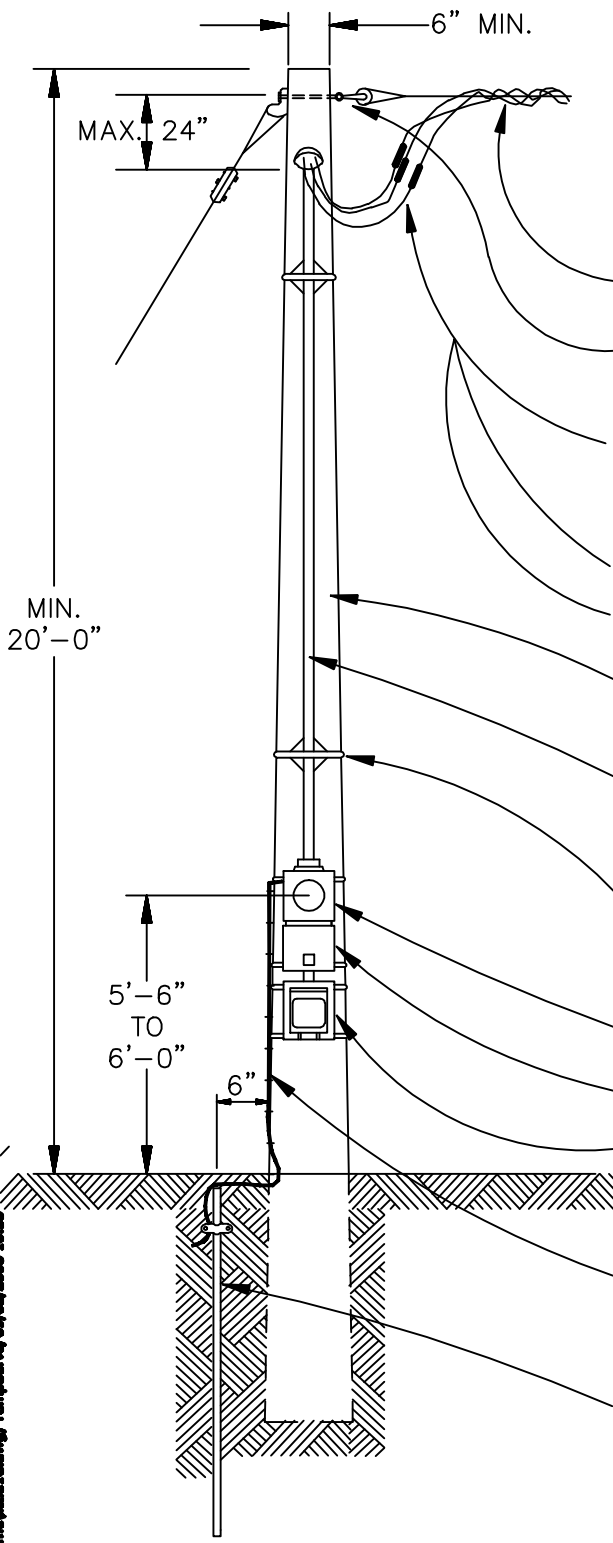


TEMPORARY SERVICE
INSTALLATION REQUIREMENTS



OTHER METHODS MAY BE USED ONLY WITH WRITTEN APPROVAL PRIOR TO INSTALLATION.

- UTILITY SERVICE DROP MAXIMUM 150'; SEE NOTE #1
- GALVANIZED EYEBOLT WITH EYE-NUT, MINIMUM 5/8" DIAMETER.
- INSULATION SHALL BE XHHW, RHW, OR APPROVED EXTERIOR R-TYPE INSULATION. NO OTHER INSULATION IS ACCEPTABLE. SEE WIRE/CONDUIT SIZE TABLE.
- LEAVE 18" TAILS
- COPPER OR #1 AND LARGER ALUMINUM CONDUCTOR.
- CUSTOMER OWNED PRESSURE TREATED POLE, MINIMUM OF 25'.
- RIGID CONDUIT IMC OR GRC.
- POLE BRACKETS SUCH AS "LILA ROBIN LR-MS POLE HUGGER", OR EQUAL.
- MINIMUM 60 AMP RAIN-TIGHT SERVICE EQUIPMENT.
- MAIN DISCONNECT.
- RAIN-TIGHT CONSTRUCTION OUTLET. N.E.C. REQUIRES GROUND FAULT PROTECTION ON 15, 20, AND 30 AMP RECEPTACLES.
- TIE #4 COPPER GROUND WIRE TO NEUTRAL AND SERVICE ENCLOSURE AT DISCONNECT AND TO WELL OR GROUND ROD. STAPLE ON POLE EVERY 6".
- MINIMUM 5/8"x8' CU. GROUND ROD WITH APPROVED CONNECTOR DRIVEN IN TO UNDISTURBED EARTH.

NOT TO BE USED FOR ENERGIZING PERMANENT WIRING SYSTEMS. CONSTRUCTION SERVICE APPROVED FOR CONSTRUCTION POWER ONLY. SERVICE WILL BE DISCONNECTED 12 MONTHS AFTER CONNECT OR IF PERMANENT WIRING IS ENERGIZED

NOTES:

1. IF A SERVICE DROP EXCEEDS 50', POLE MUST BE GUYED. SERVICE DROP SHALL NOT EXCEED 150'. WEATHERHEAD SHALL BE 18' ABOVE GRADE.
- *2. REVISED IN CONJUNCTION WITH THE 2005 N.E.C. AS ADOPTED BY THE CITY OF FAIRBANKS.

WIRE/CONDUIT SIZE TABLE		
**WIRE MUST BE COPPER OR #1 AND LARGER ALUMINUM		
SERVICE SIZE (MIN.)	MIN. WIRE SIZE	MIN. CONDUIT SIZE
60 AMP	#6 COPPER**	1"
100 AMP	#3 COPPER**	1-1/4"