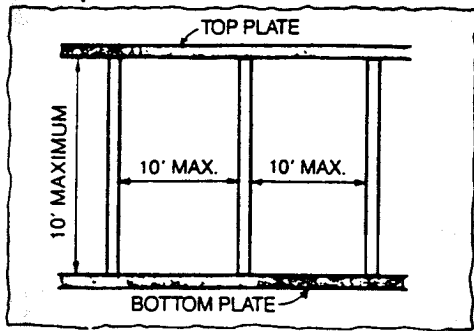
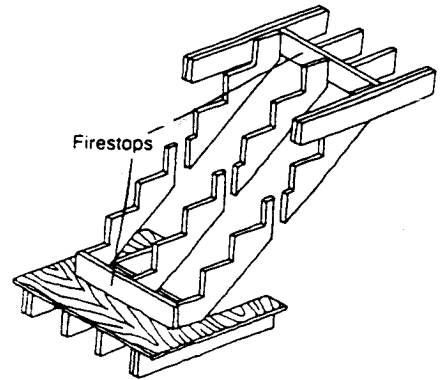


ELEMENT OF STUD WALLS, PARTITIONS  
AND FURRED SPACES

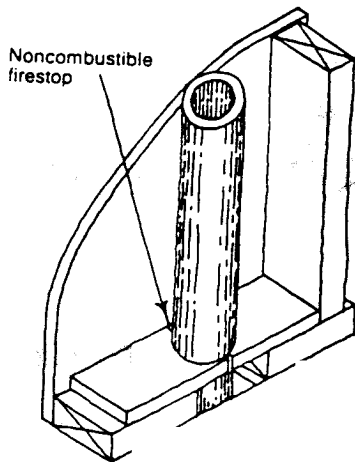


FIRE BLOCKS AT  
CEILING AND FLOOR  
LEVELS AND 10'  
MAXIMUM INTERVALS  
ALONG LENGTH OF WALL

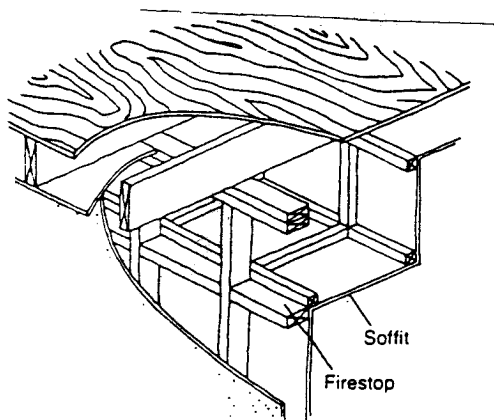
**FIRE BLOCKS—WALLS**



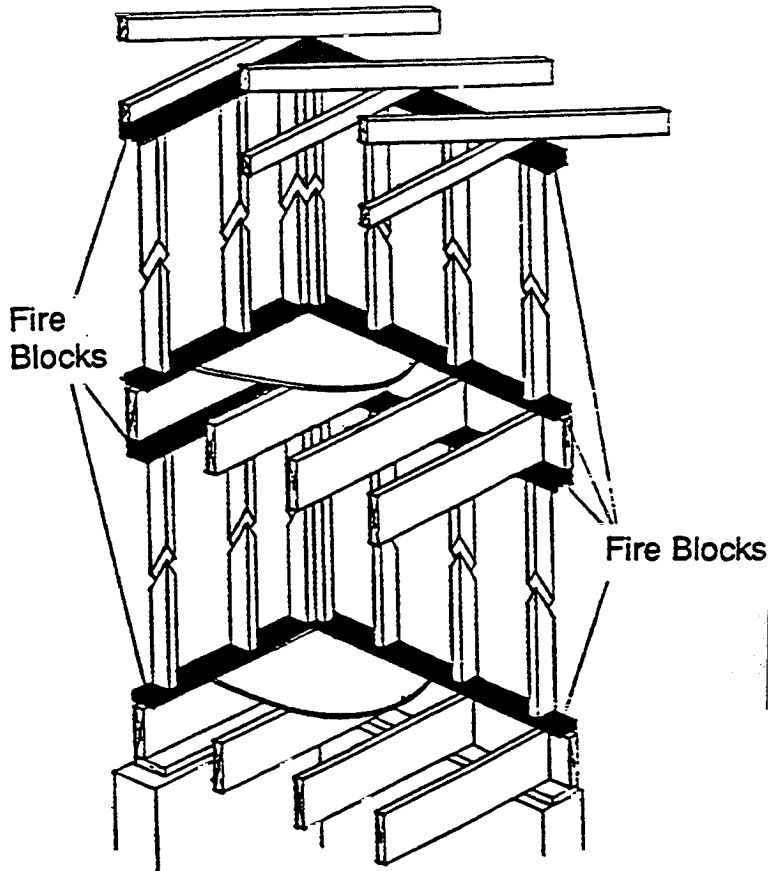
**Stairs**



**Vents, Pipes, Ducts**



**Soffit**



**Fire Blocks**

**Fire Blocks**

**Platform Framing**

# FIRE BLOCKS Section 708.2