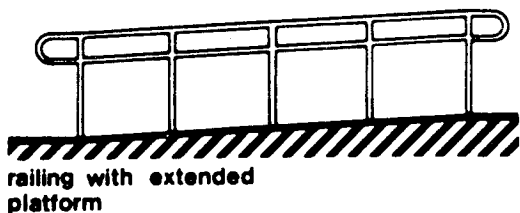
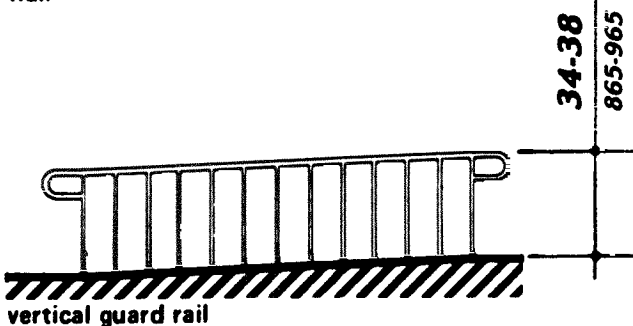
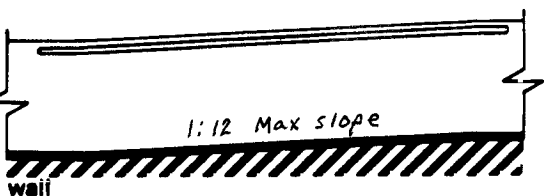
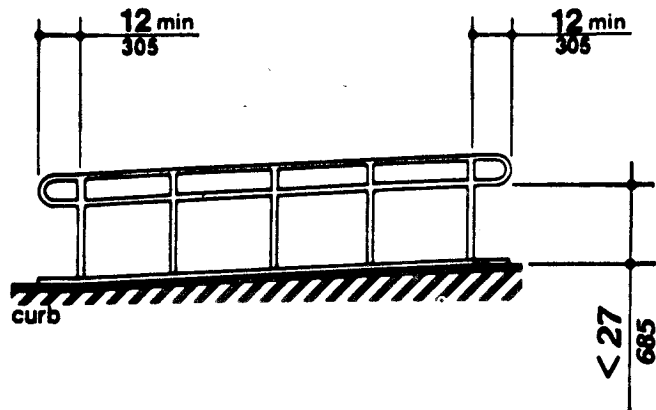


elevation



section

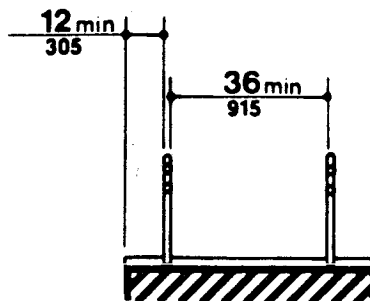
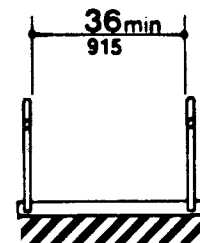
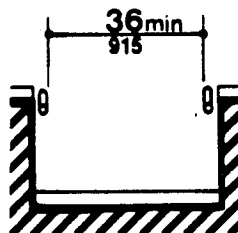
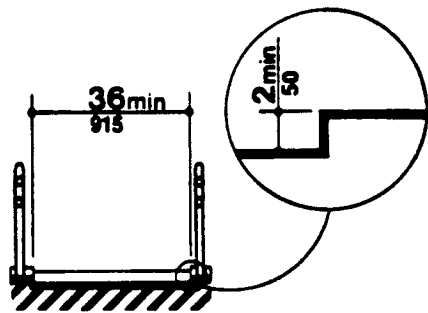


Fig. 17

Examples of Edge Protection and Handrail Extensions