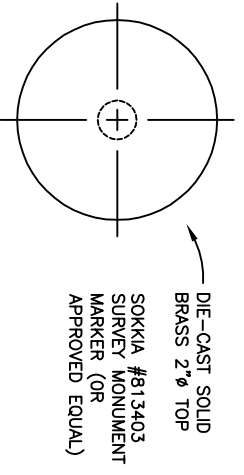
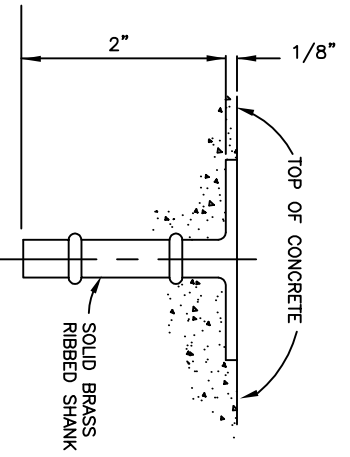


MONUMENT BASE AND CASE DETAIL

SOLID COVER: 14 1/2" DIA. X 1 1/2"
 WEIGHT: 54 LBS.
 EMBOSSED WITH CUSTOM MC LOGO
 FRAME: 9" DEEP & 18 1/2" OD FLANGE
 WEIGHT: 116 LBS
 HEAVY TRAFFIC LOADING
 MACHINED FRAME AND COVER
 E.I.N.V. NO. 3688
 OR APPROVED EQUAL

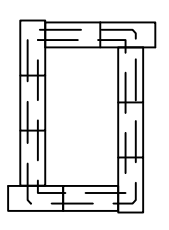


TOP VIEW

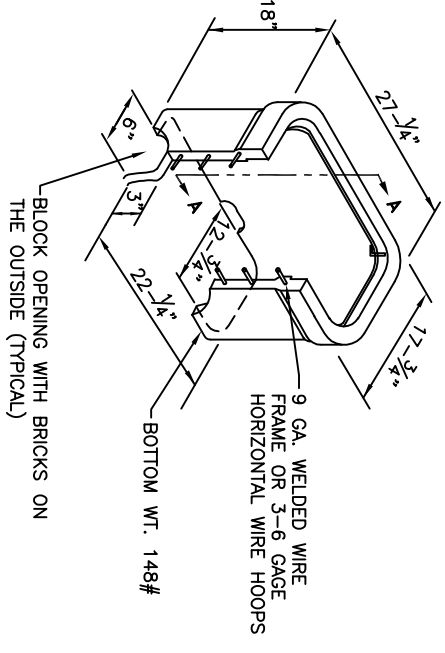


PROFILE

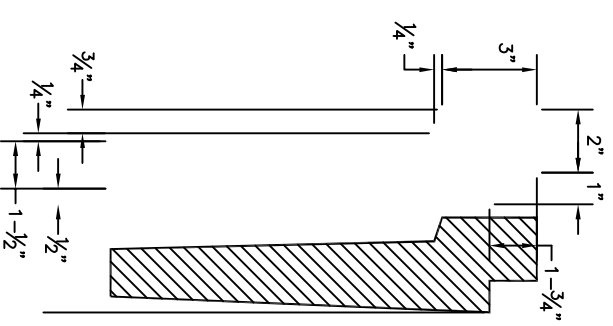
FLAT SURVEY MARKER DETAIL A



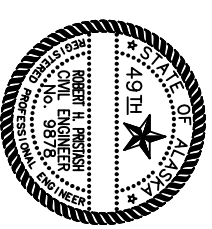
TYPE IA JUNCTION BOX



TYPE IA JUNCTION BOX DETAIL



SECTION A-A



11/19/14	JUNCTION BOX ADDED	RHP:STC
2/1/10	NEW CD2	RHP:GSC
10/27/08		RHP
DATE	REVISION	BY

NOT TO SCALE

DESIGNED:	STAFF
DRAWN:	RHP:GSC
CHECKED:	
DATE:	3/23/07

CITY OF FAIRBANKS, ALASKA
 ENGINEERING DIVISION

STANDARD CONCRETE DETAILS
 MONUMENT BASE, CASE AND MARKER