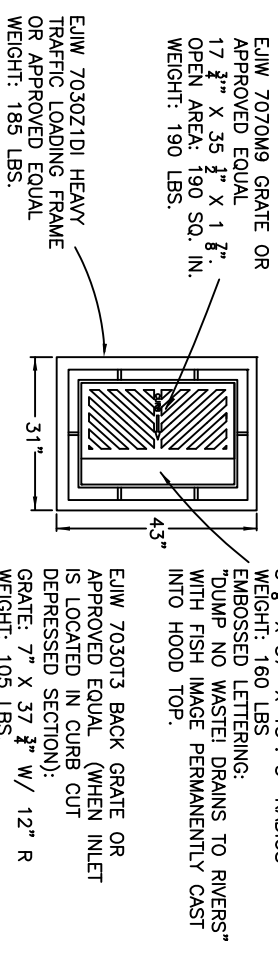
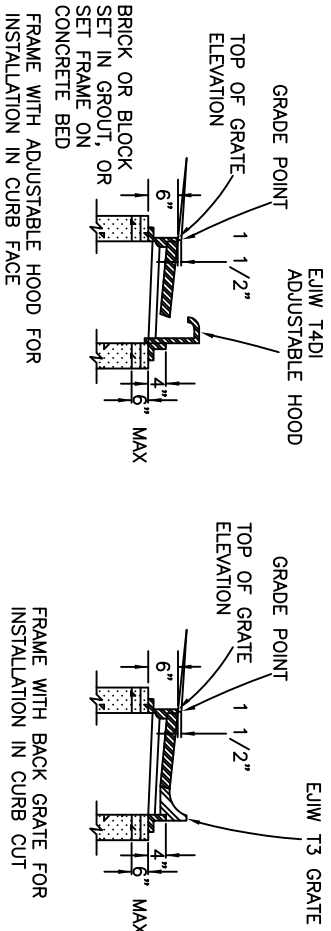


TYPICAL CURB INLET



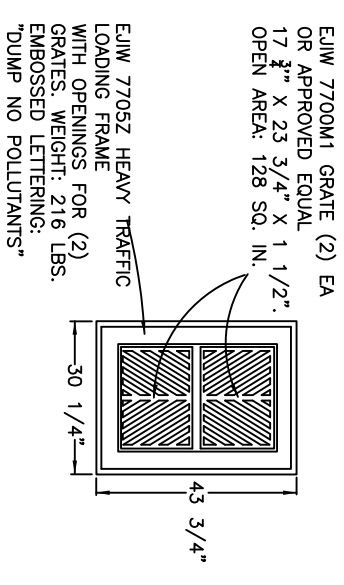
EJIW 7030T4D1 ADJUSTABLE HOOD WITH 6"-11" RANGE OR APPROVED EQUAL 5 5/8" X 37" X 1 3/4" 3" RADIUS EMBOSSED LETTERING: "DUMP NO WASTE! DRAINS TO RIVERS" WITH FISH IMAGE PERMANENTLY CAST INTO HOOD TOP.

EJIW 7030T3 BACK GRATE OR APPROVED EQUAL (WHEN INLET IS LOCATED IN CURB CUT DEPRESSED SECTION): GRATE: 7" X 37 3/4" W/ 1/2" R WEIGHT: 105 LBS.

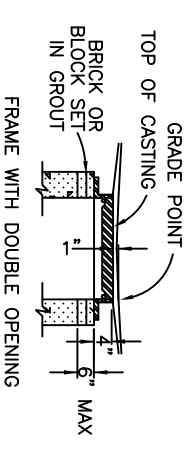


FRAME WITH BACK GRATE FOR INSTALLATION IN CURB CUT

TYPICAL FIELD INLET

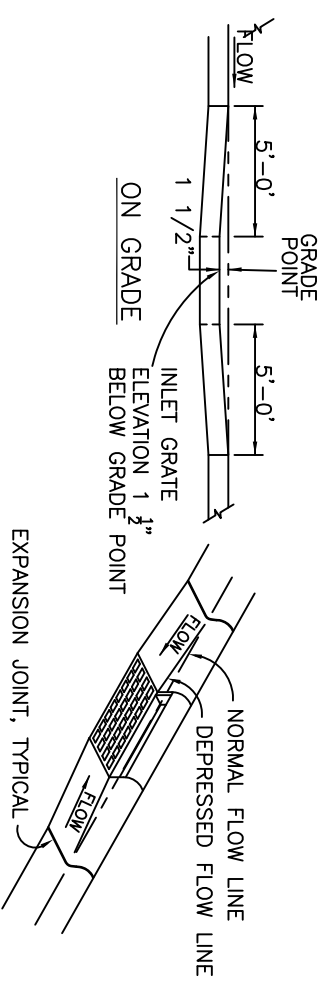


EJIW 7705Z HEAVY TRAFFIC LOADING FRAME WITH OPENINGS FOR (2) GRATES. WEIGHT: 216 LBS. EMBOSSED LETTERING: "DUMP NO POLLUTANTS"



INLET BOX/CATCH BASIN DETAILS

NOT TO SCALE



DEPRESSION IN FLOW LINE AT INLET

CATCH BASIN NOTES:

1. THE WORDS "INLET" AND "CATCH BASIN" SHALL BE INTERCHANGEABLE.
2. ALL GROUT SHALL BE NON-SHRINK. PROTECT GROUT DURING CURE IN ACCORDANCE WITH THE MANUFACTURER'S RECOMMENDED METHOD.
4. TYPICALLY, CATCH BASINS ARE NOT INSULATED. HOWEVER, SPECIAL CASES REQUIRE INSULATION OF ALL OUTSIDE SURFACES. SEE PLAN NOTE TO INSULATE CB.
5. GROUT THE INSIDE FACE OF ALL JOINTS SMOOTH.

2/3/10	NEW SD2	GSG,RHP	NOT TO SCALE
3/23/07		RHP	
DATE	REVISION	BY	

DESIGNED:	STAFF
DRAWN:	RHP,GSG
CHECKED:	RHP,GSG
DATE:	3/23/07

CITY OF FAIRBANKS, ALASKA
ENGINEERING DIVISION

STANDARD DETAILS
STORM DRAIN CATCH BASIN

